



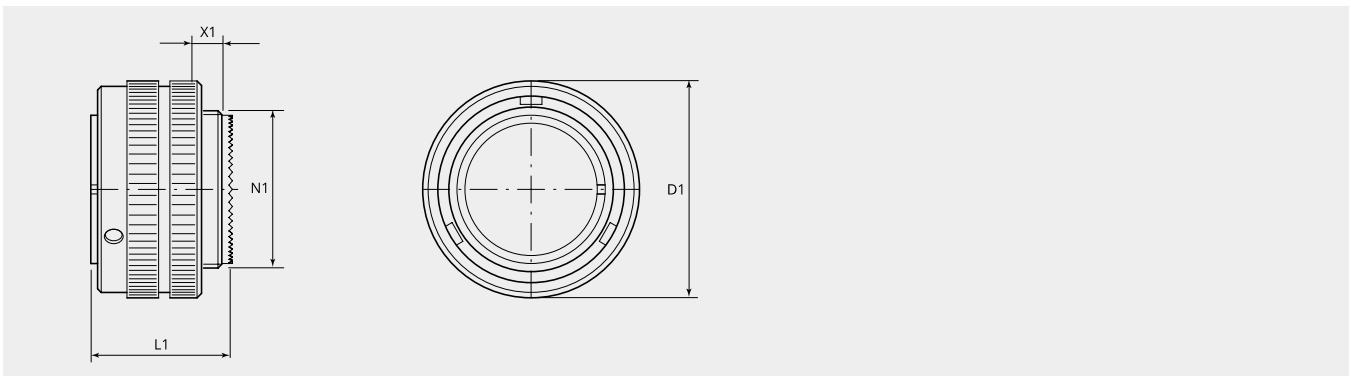
GS60

Bayonet connector for press-in contacts with 1 guiding key, steel slab at bayonet ramp locking edge and integrated waved ring spring. These connectors correspond to the standards MIL-DTL-5015 and VG95234. They can be used for both indoor and outdoor applications.

Depending on the backshell used watertightness of up to IP69K can be achieved for the connection. The connectors have been tested for outdoor use according to IEC EN 60529 IP65 / IP67 / IP68 (5bar) and according to DIN 40050 and IP69K.

For outdoor applications rubber coated bayonet rings with dust protection lips are recommended. In addition a back shell with sealed cable clamp or with an adapter for heat shrinkable shapes is required.

The main properties of these railway-fit connectors are, in brief: Bayonet coupling | Inserts up to 105 contacts | Cross sections from 0.5 to 50 mm² | Resistant against fuels, greas- and insulating oils etc. | High mechanical loading capacity



Item number	Size	Number of contacts	D1 (Ø)	N1	L1 (mm)
GS60-18-1PN-EAA	18	10	37.0	1"-20 UNEF 2A	36.0
GS60-18-1SN-EAA	18	10	37.0	1"-20 UNEF 2A	36.0
GS60-18-3PN-EAA	18	2	37.0	1"-20 UNEF 2A	36.0
GS60-18-3SN-EAA	18	2	37.0	1"-20 UNEF 2A	36.0
GS60-18-4PN-EAA	18	4	37.0	1"-20 UNEF 2A	36.0
GS60-18-4SN-EAA	18	4	37.0	1"-20 UNEF 2A	36.0
GS60-18-8PN-EAA	18	8	37.0	1"-20 UNEF 2A	36.0
GS60-18-8SN-EAA	18	8	37.0	1"-20 UNEF 2A	36.0
GS60-18-9PN-EAA	18	7	37.0	1"-20 UNEF 2A	36.0
GS60-18-9SN-EAA	18	7	37.0	1"-20 UNEF 2A	36.0
GS60-18-10PN-EAA	18	4	37.0	1"-20 UNEF 2A	36.0
GS60-18-10SN-EAA	18	4	37.0	1"-20 UNEF 2A	36.0
GS60-18-11PN-EAA	18	5	37.0	1"-20 UNEF 2A	36.0
GS60-18-11SN-EAA	18	5	37.0	1"-20 UNEF 2A	36.0
GS60-18-12PN-EAA	18	6	37.0	1"-20 UNEF 2A	36.0
GS60-18-12SN-EAA	18	6	37.0	1"-20 UNEF 2A	36.0
GS60-18-19PN-EAA	18	10	37.0	1"-20 UNEF 2A	36.0
GS60-18-19SN-EAA	18	10	37.0	1"-20 UNEF 2A	36.0
GS60-18-20PN-EAA	18	5	37.0	1"-20 UNEF 2A	36.0
GS60-18-20SN-EAA	18	5	37.0	1"-20 UNEF 2A	36.0
GS60-18-22PN-EAA	18	3	37.0	1"-20 UNEF 2A	36.0

Item number	Size	Number of contacts	D1 (Ø)	N1	L1 (mm)
GS60-18-22SN-EAA	18	3	37.0	1"-20 UNEF 2A	36.0
GS60-20-3PN-EAA	20	3	40.0	1 1/8"-18 UNEF 2A	36.0
GS60-20-3SN-EAA	20	3	40.0	1 1/8"-18 UNEF 2A	36.0
GS60-20-4PN-EAA	20	4	40.0	1 1/8"-18 UNEF 2A	36.0
GS60-20-4SN-EAA	20	4	40.0	1 1/8"-18 UNEF 2A	36.0
GS60-20-7PN-EAA	20	8	40.0	1 1/8"-18 UNEF 2A	36.0
GS60-20-7SN-EAA	20	8	40.0	1 1/8"-18 UNEF 2A	36.0
GS60-20-11PN-EAA	20	13	40.0	1 1/8"-18 UNEF 2A	36.0
GS60-20-11SN-EAA	20	13	40.0	1 1/8"-18 UNEF 2A	36.0
GS60-20-15PN-EAA	20	7	40.0	1 1/8"-18 UNEF 2A	36.0
GS60-20-15SN-EAA	20	7	40.0	1 1/8"-18 UNEF 2A	36.0
GS60-20-18PN-EAA	20	9	40.0	1 1/8"-18 UNEF 2A	36.0
GS60-20-18SN-EAA	20	9	40.0	1 1/8"-18 UNEF 2A	36.0
GS60-20-19PN-EAA	20	3	40.0	1 1/8"-18 UNEF 2A	36.0
GS60-20-19SN-EAA	20	3	40.0	1 1/8"-18 UNEF 2A	36.0
GS60-20-24PN-EAA	20	4	40.0	1 1/8"-18 UNEF 2A	36.0
GS60-20-24SN-EAA	20	4	40.0	1 1/8"-18 UNEF 2A	36.0
GS60-20-27PN-EAA	20	14	40.0	1 1/8"-18 UNEF 2A	36.0
GS60-20-27SN-EAA	20	14	40.0	1 1/8"-18 UNEF 2A	36.0
GS60-20-29PN-EAA	20	17	40.0	1 1/8"-18 UNEF 2A	36.0
GS60-20-29SN-EAA	20	17	40.0	1 1/8"-18 UNEF 2A	36.0
GS60-20-33PN-EAA	20	11	40.0	1 1/8"-18 UNEF 2A	36.0
GS60-20-33SN-EAA	20	11	40.0	1 1/8"-18 UNEF 2A	36.0
GS60-20-A48PN-EAA	20	19	40.0	1 1/8"-18 UNEF 2A	36.0
GS60-20-A48SN-EAA	20	19	40.0	1 1/8"-18 UNEF 2A	36.0
GS60-22-1PN-EAA	22	2	44.0	1 1/4"-18 UNEF 2A	36.0
GS60-22-1SN-EAA	22	2	44.0	1 1/4"-18 UNEF 2A	36.0
GS60-22-2PN-EAA	22	3	44.0	1 1/4"-18 UNEF 2A	36.0
GS60-22-2SN-EAA	22	3	44.0	1 1/4"-18 UNEF 2A	36.0
GS60-22-14PN-EAA	22	19	44.0	1 1/4"-18 UNEF 2A	36.0
GS60-22-14SN-EAA	22	19	44.0	1 1/4"-18 UNEF 2A	36.0
GS60-22-18PN-EAA	22	8	44.0	1 1/4"-18 UNEF 2A	36.0
GS60-22-18SN-EAA	22	8	44.0	1 1/4"-18 UNEF 2A	36.0
GS60-22-19PN-EAA	22	14	44.0	1 1/4"-18 UNEF 2A	36.0
GS60-22-19SN-EAA	22	14	44.0	1 1/4"-18 UNEF 2A	36.0
GS60-22-21PN-EAA	22	3	44.0	1 1/4"-18 UNEF 2A	36.0
GS60-22-21SN-EAA	22	3	44.0	1 1/4"-18 UNEF 2A	36.0
GS60-22-22PN-EAA	22	4	44.0	1 1/4"-18 UNEF 2A	36.0
GS60-22-22SN-EAA	22	4	44.0	1 1/4"-18 UNEF 2A	36.0
GS60-22-23PN-EAA	22	8	44.0	1 1/4"-18 UNEF 2A	36.0
GS60-22-23SN-EAA	22	8	44.0	1 1/4"-18 UNEF 2A	36.0
GS60-22-A10PN-EAA	22	10	44.0	1 1/4"-18 UNEF 2A	36.0
GS60-22-A10SN-EAA	22	10	44.0	1 1/4"-18 UNEF 2A	36.0
GS60-24-2PN-EAA	24	7	48.0	1 3/8"-18 UNEF 2A	36.0
GS60-24-2SN-EAA	24	7	48.0	1 3/8"-18 UNEF 2A	36.0
GS60-24-5PN-EAA	24	16	48.0	1 3/8"-18 UNEF 2A	36.0
GS60-24-5SN-EAA	24	16	48.0	1 3/8"-18 UNEF 2A	36.0

Item number	Size	Number of contacts	D1 (Ø)	N1	L1 (mm)
GS60-24-07PN-EAA	24	7	48.0	1 3/8"-18 UNEF 2A	36.0
GS60-24-07SN-EAA	24	7	48.0	1 3/8"-18 UNEF 2A	36.0
GS60-24-9PN-EAA	24	2	48.0	1 3/8"-18 UNEF 2A	36.0
GS60-24-9SN-EAA	24	2	48.0	1 3/8"-18 UNEF 2A	36.0
GS60-24-10PN-EAA	24	7	48.0	1 3/8"-18 UNEF 2A	36.0
GS60-24-10SN-EAA	24	7	48.0	1 3/8"-18 UNEF 2A	36.0
GS60-24-11PN-EAA	24	9	48.0	1 3/8"-18 UNEF 2A	36.0
GS60-24-11SN-EAA	24	9	48.0	1 3/8"-18 UNEF 2A	36.0
GS60-24-12PN-EAA	24	5	48.0	1 3/8"-18 UNEF 2A	36.0
GS60-24-12SN-EAA	24	5	48.0	1 3/8"-18 UNEF 2A	36.0
GS60-24-19PN-EAA	24	12	48.0	1 3/8"-18 UNEF 2A	36.0
GS60-24-19SN-EAA	24	12	48.0	1 3/8"-18 UNEF 2A	36.0
GS60-24-20PN-EAA	24	11	48.0	1 3/8"-18 UNEF 2A	36.0
GS60-24-20SN-EAA	24	11	48.0	1 3/8"-18 UNEF 2A	36.0
GS60-24-22PN-EAA	24	4	48.0	1 3/8"-18 UNEF 2A	36.0
GS60-24-22SN-EAA	24	4	48.0	1 3/8"-18 UNEF 2A	36.0
GS60-24-27PN-EAA	24	7	48.0	1 3/8"-18 UNEF 2A	36.0
GS60-24-27SN-EAA	24	7	48.0	1 3/8"-18 UNEF 2A	36.0
GS60-24-28PN-EAA	24	24	48.0	1 3/8"-18 UNEF 2A	36.0
GS60-24-28SN-EAA	24	24	48.0	1 3/8"-18 UNEF 2A	36.0
GS60-24-A25PN-EAA	24	25	48.0	1 3/8"-18 UNEF 2A	36.0
GS60-24-A25SN-EAA	24	25	48.0	1 3/8"-18 UNEF 2A	36.0
GS60-24-A28PN-EAA	28	28	54.0	1 5/8"-18 UNEF 2A	36.0
GS60-24-A28SN-EAA	28	28	54.0	1 5/8"-18 UNEF 2A	36.0
GS60-28-1PN-EAA	28	9	54.0	1 5/8"-18 UNEF 2A	36.0
GS60-28-1SN-EAA	28	9	54.0	1 5/8"-18 UNEF 2A	36.0
GS60-28-2PN-EAA	28	14	54.0	1 5/8"-18 UNEF 2A	36.0
GS60-28-2SN-EAA	28	14	54.0	1 5/8"-18 UNEF 2A	36.0
GS60-28-3PN-EAA	28	3	54.0	1 5/8"-18 UNEF 2A	36.0
GS60-28-3SN-EAA	28	3	54.0	1 5/8"-18 UNEF 2A	36.0
GS60-28-5PN-EAA	28	5	54.0	1 5/8"-18 UNEF 2A	36.0
GS60-28-5SN-EAA	28	5	54.0	1 5/8"-18 UNEF 2A	36.0
GS60-28-6PN-EAA	28	3	54.0	1 5/8"-18 UNEF 2A	36.0
GS60-28-6SN-EAA	28	3	54.0	1 5/8"-18 UNEF 2A	36.0
GS60-28-10PN-EAA	28	7	54.0	1 5/8"-18 UNEF 2A	36.0
GS60-28-10SN-EAA	28	7	54.0	1 5/8"-18 UNEF 2A	36.0
GS60-28-11PN-EAA	28	22	54.0	1 5/8"-18 UNEF 2A	36.0
GS60-28-11SN-EAA	28	22	54.0	1 5/8"-18 UNEF 2A	36.0
GS60-28-12PN-EAA	28	26	54.0	1 5/8"-18 UNEF 2A	36.0
GS60-28-12SN-EAA	28	26	54.0	1 5/8"-18 UNEF 2A	36.0
GS60-28-15PN-EAA	28	35	54.0	1 5/8"-18 UNEF 2A	36.0
GS60-28-15SN-EAA	28	35	54.0	1 5/8"-18 UNEF 2A	36.0
GS60-28-16PN-EAA	28	20	54.0	1 5/8"-18 UNEF 2A	36.0
GS60-28-16SN-EAA	28	20	54.0	1 5/8"-18 UNEF 2A	36.0
GS60-28-20PN-EAA	28	14	54.0	1 5/8"-18 UNEF 2A	36.0
GS60-28-20SN-EAA	28	14	54.0	1 5/8"-18 UNEF 2A	36.0
GS60-28-21PN-EAA	28	37	54.0	1 5/8"-18 UNEF 2A	36.0

Item number	Size	Number of contacts	D1 (Ø)	N1	L1 (mm)
GS60-28-21SN-EAA	28	37	54.0	1 5/8"-18 UNEF 2A	36.0
GS60-28-22PN-EAA	28	6	54.0	1 5/8"-18 UNEF 2A	36.0
GS60-28-22SN-EAA	28	6	54.0	1 5/8"-18 UNEF 2A	36.0
GS60-28-51PN-EAA	28	12	54.0	1 5/8"-18 UNEF 2A	36.0
GS60-28-51SN-EAA	28	12	54.0	1 5/8"-18 UNEF 2A	36.0
GS60-32-1PN-EAA	32	5	60.0	1 7/8"-16 UN 2A	38.0
GS60-32-1SN-EAA	32	5	60.0	1 7/8"-16 UN 2A	38.0
GS60-32-5PN-EAA	32	2	60.0	1 7/8"-16 UN 2A	38.0
GS60-32-5SN-EAA	32	2	60.0	1 7/8"-16 UN 2A	38.0
GS60-32-8PN-EAA	32	30	60.0	1 7/8"-16 UN 2A	38.0
GS60-32-8SN-EAA	32	30	60.0	1 7/8"-16 UN 2A	38.0
GS60-32-013PN-EAA	32	13	60.0	1 7/8"-16 UN 2A	38.0
GS60-32-013SN-EAA	32	13	60.0	1 7/8"-16 UN 2A	38.0
GS60-32-15PN-EAA	32	8	60.0	1 7/8"-16 UN 2A	38.0
GS60-32-15SN-EAA	32	8	60.0	1 7/8"-16 UN 2A	38.0
GS60-32-17PN-EAA	32	4	60.0	1 7/8"-16 UN 2A	38.0
GS60-32-17SN-EAA	32	4	60.0	1 7/8"-16 UN 2A	38.0
GS60-32-22PN-EAA	32	54	60.0	1 7/8"-16 UN 2A	38.0
GS60-32-22SN-EAA	32	54	60.0	1 7/8"-16 UN 2A	38.0
GS60-32-31PN-EAA	32	31	60.0	1 7/8"-16 UN 2A	38.0
GS60-32-31SN-EAA	32	31	60.0	1 7/8"-16 UN 2A	38.0
GS60-32-59PN-EAA	32	42	60.0	1 7/8"-16 UN 2A	38.0
GS60-32-59SN-EAA	32	42	60.0	1 7/8"-16 UN 2A	38.0
GS60-32-A9PN-EAA	32	9	60.0	1 7/8"-16 UN 2A	38.0
GS60-32-A9SN-EAA	32	9	60.0	1 7/8"-16 UN 2A	38.0
GS60-32-A30PN-EAA	32	30	60.0	1 7/8"-16 UN 2A	38.0
GS60-32-A30SN-EAA	32	30	60.0	1 7/8"-16 UN 2A	38.0
GS60-32-A55PN-EAA	32	55	60.0	1 7/8"-16 UN 2A	38.0
GS60-32-A55SN-EAA	32	55	60.0	1 7/8"-16 UN 2A	38.0
GS60-36-3PN-EAA	36	6	67.0	2 1/16"-16 UN 2A	38.5
GS60-36-3SN-EAA	36	6	67.0	2 1/16"-16 UN 2A	38.5
GS60-36-5PN-EAA	36	4	67.0	2 1/16"-16 UN 2A	38.5
GS60-36-5SN-EAA	36	4	67.0	2 1/16"-16 UN 2A	38.5
GS60-36-7PN-EAA	36	47	67.0	2 1/16"-16 UN 2A	38.5
GS60-36-7SN-EAA	36	47	67.0	2 1/16"-16 UN 2A	38.5
GS60-36-10PN-EAA	36	48	67.0	2 1/16"-16 UN 2A	38.5
GS60-36-10SN-EAA	36	48	67.0	2 1/16"-16 UN 2A	38.5
GS60-36-15PN-EAA	36	35	67.0	2 1/16"-16 UN 2A	38.5
GS60-36-15SN-EAA	36	35	67.0	2 1/16"-16 UN 2A	38.5
GS60-36-A22PN-EAA	36	22	67.0	2 1/16"-16 UN 2A	38.5
GS60-36-A22SN-EAA	36	22	67.0	2 1/16"-16 UN 2A	38.5
GS60-40-9PN-EAA	40	47	73.0	2 5/16"-16 UN 2A	38.5
GS60-40-9SN-EAA	40	47	73.0	2 5/16"-16 UN 2A	38.5
GS60-40-31PN-EAA	40	31	73.0	2 5/16"-16 UN 2A	38.5
GS60-40-31SN-EAA	40	31	73.0	2 5/16"-16 UN 2A	38.5
GS60-40-35PN-EAA	40	35	73.0	2 5/16"-16 UN 2A	38.5
GS60-40-35SN-EAA	40	35	73.0	2 5/16"-16 UN 2A	38.5

Item number	Size	Number of contacts	D1 (Ø)	N1	L1 (mm)
GS60-40-56PN-EAA	40	85	73.0	2 5/16"-16 UN 2A	38.5
GS60-40-56SN-EAA	40	85	73.0	2 5/16"-16 UN 2A	38.5
GS60-40-63PN-EAA	40	61	73.0	2 5/16"-16 UN 2A	38.5
GS60-40-63SN-EAA	40	61	73.0	2 5/16"-16 UN 2A	38.5
GS60-40-A3PN-EAA	40	3	73.0	2 5/16"-16 UN 2A	38.5
GS60-40-A3SN-EAA	40	3	73.0	2 5/16"-16 UN 2A	38.5
GS60-40-A4PN-EAA	40	4	73.0	2 5/16"-16 UN 2A	38.5
GS60-40-A4SN-EAA	40	4	73.0	2 5/16"-16 UN 2A	38.5
GS60-40-A8PN-EAA	40	8	73.0	2 5/16"-16 UN 2A	38.5
GS60-40-A8SN-EAA	40	8	73.0	2 5/16"-16 UN 2A	38.5
GS60-40-A10PN-EAA	40	8	73.0	2 5/16"-16 UN 2A	38.5
GS60-40-A10SN-EAA	40	8	73.0	2 5/16"-16 UN 2A	38.5
GS60-40-A14PN-EAA	40	14	73.0	2 5/16"-16 UN 2A	38.5
GS60-40-A14SN-EAA	40	14	73.0	2 5/16"-16 UN 2A	38.5
GS60-40-A20PN-EAA	40	20	73.0	2 5/16"-16 UN 2A	38.5
GS60-40-A20SN-EAA	40	20	73.0	2 5/16"-16 UN 2A	38.5
GS60-40-A25PN-EAA	40	25	73.0	2 5/16"-16 UN 2A	38.5
GS60-40-A25SN-EAA	40	25	73.0	2 5/16"-16 UN 2A	38.5
GS60-40-A47PN-EAA	40	47	73.0	2 5/16"-16 UN 2A	38.5
GS60-40-A47SN-EAA	40	47	73.0	2 5/16"-16 UN 2A	38.5
GS60-40-A60PN-EAA	40	60	73.0	2 5/16"-16 UN 2A	38.5
GS60-40-A60SN-EAA	40	60	73.0	2 5/16"-16 UN 2A	38.5
GS60-40-A62PN-EAA	40	62	73.0	2 5/16"-16 UN 2A	38.5
GS60-40-A62SN-EAA	40	62	73.0	2 5/16"-16 UN 2A	38.5
GS60-40-B37PN-EAA	40	37	73.0	2 5/16"-16 UN 2A	38.5
GS60-40-B37SN-EAA	40	37	73.0	2 5/16"-16 UN 2A	38.5