



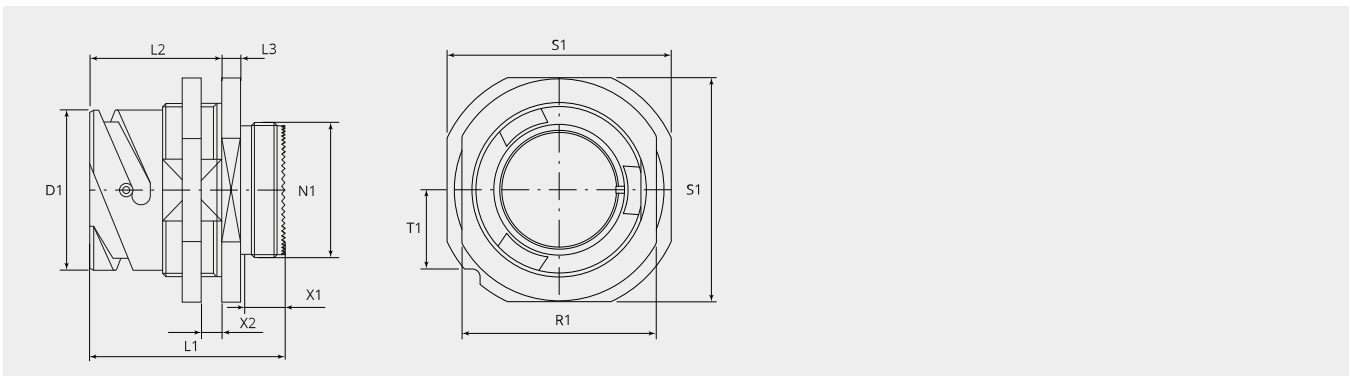
GS72

Jam nut receptacle, with accessory thread. These receptacles correspond to the standards MIL-DTL-5015 and VG95234. They can be used for both indoor and outdoor applications.

Depending on the backshell used watertightness of up to IP69K can be achieved for the connection. The receptacles have been tested for outdoor use according to IEC EN 60529 IP65 / IP67 / IP68 (5bar) and according to DIN 40050 and IP69K.

For outdoor applications a back shell with sealed cable clamp or with an adapter for heat shrinkable shapes is required.

The main properties of these railway-fit receptacles are, in brief: Bayonet coupling | Inserts up to 105 contacts | Cross sections from 0.5 to 50 mm² | Resistant against fuels, greas- and insulating oils etc. | High mechanical loading capacity



Item number	Size	Number of contacts	D1 (Ø)	N1	L1 (mm)	EMI
GS72-18-1PN-EAA	18	10	30.8	1"-20 UNEF 2A	49.3	Yes
GS72-18-1SN-EAA	18	10	30.8	1"-20 UNEF 2A	49.3	Yes
GS72-18-3PN-EAA	18	2	30.8	1"-20 UNEF 2A	49.3	Yes
GS72-18-3SN-EAA	18	2	30.8	1"-20 UNEF 2A	49.3	Yes
GS72-18-4PN-EAA	18	4	30.8	1"-20 UNEF 2A	49.3	Yes
GS72-18-4SN-EAA	18	4	30.8	1"-20 UNEF 2A	49.3	Yes
GS72-18-8PN-EAA	18	8	30.8	1"-20 UNEF 2A	49.3	Yes
GS72-18-8SN-EAA	18	8	30.8	1"-20 UNEF 2A	49.3	Yes
GS72-18-9PN-EAA	18	7	30.8	1"-20 UNEF 2A	49.3	Yes
GS72-18-9SN-EAA	18	7	30.8	1"-20 UNEF 2A	49.3	Yes
GS72-18-10PN-EAA	18	4	30.8	1"-20 UNEF 2A	49.3	Yes
GS72-18-10SN-EAA	18	4	30.8	1"-20 UNEF 2A	49.3	Yes
GS72-18-11PN-EAA	18	5	30.8	1"-20 UNEF 2A	49.3	Yes
GS72-18-11SN-EAA	18	5	30.8	1"-20 UNEF 2A	49.3	Yes
GS72-18-12PN-EAA	18	6	30.8	1"-20 UNEF 2A	49.3	Yes
GS72-18-12SN-EAA	18	6	30.8	1"-20 UNEF 2A	49.3	Yes
GS72-18-19PN-EAA	18	10	30.8	1"-20 UNEF 2A	49.3	Yes
GS72-18-19SN-EAA	18	10	30.8	1"-20 UNEF 2A	49.3	Yes
GS72-18-20PN-EAA	18	5	30.8	1"-20 UNEF 2A	49.3	Yes
GS72-18-20SN-EAA	18	5	30.8	1"-20 UNEF 2A	49.3	Yes
GS72-18-22PN-EAA	18	3	30.8	1"-20 UNEF 2A	49.3	Yes
GS72-18-22SN-EAA	18	3	30.8	1"-20 UNEF 2A	49.3	Yes

Item number	Size	Number of contacts	D1 (Ø)	N1	L1 (mm)	EMI
GS72-20-A48SN-EAA	20	19	34.2	1 1/8"-18 UNEF 2A	50.2	Yes
GS72-20-3PN-EAA	20	3	34.2	1 1/8"-18 UNEF 2A	50.2	Yes
GS72-20-3SN-EAA	20	3	34.2	1 1/8"-18 UNEF 2A	50.2	Yes
GS72-20-4PN-EAA	20	4	34.2	1 1/8"-18 UNEF 2A	50.2	Yes
GS72-20-4SN-EAA	20	4	34.2	1 1/8"-18 UNEF 2A	50.2	Yes
GS72-20-7PN-EAA	20	8	34.2	1 1/8"-18 UNEF 2A	50.2	Yes
GS72-20-7SN-EAA	20	8	34.2	1 1/8"-18 UNEF 2A	50.2	Yes
GS72-20-11PN-EAA	20	13	34.2	1 1/8"-18 UNEF 2A	50.2	Yes
GS72-20-11SN-EAA	20	13	34.2	1 1/8"-18 UNEF 2A	50.2	Yes
GS72-20-15PN-EAA	20	7	34.2	1 1/8"-18 UNEF 2A	50.2	Yes
GS72-20-15SN-EAA	20	7	34.2	1 1/8"-18 UNEF 2A	50.2	Yes
GS72-20-18PN-EAA	20	9	34.2	1 1/8"-18 UNEF 2A	50.2	Yes
GS72-20-18SN-EAA	20	9	34.2	1 1/8"-18 UNEF 2A	50.2	Yes
GS72-20-19PN-EAA	20	3	34.2	1 1/8"-18 UNEF 2A	50.2	Yes
GS72-20-19SN-EAA	20	3	34.2	1 1/8"-18 UNEF 2A	50.2	Yes
GS72-20-24PN-EAA	20	4	34.2	1 1/8"-18 UNEF 2A	50.2	Yes
GS72-20-24SN-EAA	20	4	34.2	1 1/8"-18 UNEF 2A	50.2	Yes
GS72-20-27PN-EAA	20	14	34.2	1 1/8"-18 UNEF 2A	50.2	Yes
GS72-20-27SN-EAA	20	14	34.2	1 1/8"-18 UNEF 2A	50.2	Yes
GS72-20-29PN-EAA	20	17	34.2	1 1/8"-18 UNEF 2A	50.2	Yes
GS72-20-29SN-EAA	20	17	34.2	1 1/8"-18 UNEF 2A	50.2	Yes
GS72-20-33PN-EAA	20	11	34.2	1 1/8"-18 UNEF 2A	50.2	Yes
GS72-20-33SN-EAA	20	11	34.2	1 1/8"-18 UNEF 2A	50.2	Yes
GS72-20-A48PN-EAA	20	19	34.2	1 1/8"-18 UNEF 2A	50.2	Yes
GS72-22-1PN-EAA	22	2	37.4	1 1/4"-18 UNEF 2A	50.5	Yes
GS72-22-1SN-EAA	22	2	37.4	1 1/4"-18 UNEF 2A	50.5	Yes
GS72-22-2PN-EAA	22	3	37.4	1 1/4"-18 UNEF 2A	50.5	Yes
GS72-22-2SN-EAA	22	3	37.4	1 1/4"-18 UNEF 2A	50.5	Yes
GS72-22-14PN-EAA	22	19	37.4	1 1/4"-18 UNEF 2A	50.5	Yes
GS72-22-14SN-EAA	22	19	37.4	1 1/4"-18 UNEF 2A	50.5	Yes
GS72-22-18PN-EAA	22	8	37.4	1 1/4"-18 UNEF 2A	50.5	Yes
GS72-22-18SN-EAA	22	8	37.4	1 1/4"-18 UNEF 2A	50.5	Yes
GS72-22-19PN-EAA	22	14	37.4	1 1/4"-18 UNEF 2A	50.5	Yes
GS72-22-19SN-EAA	22	14	37.4	1 1/4"-18 UNEF 2A	50.5	Yes
GS72-22-21PN-EAA	22	3	37.4	1 1/4"-18 UNEF 2A	50.5	Yes
GS72-22-21SN-EAA	22	3	37.4	1 1/4"-18 UNEF 2A	50.5	Yes
GS72-22-22PN-EAA	22	4	37.4	1 1/4"-18 UNEF 2A	50.5	Yes
GS72-22-22SN-EAA	22	4	37.4	1 1/4"-18 UNEF 2A	50.5	Yes
GS72-22-23PN-EAA	22	8	37.4	1 1/4"-18 UNEF 2A	50.5	Yes
GS72-22-23SN-EAA	22	8	37.4	1 1/4"-18 UNEF 2A	50.5	Yes
GS72-22-A10PN-EAA	22	10	37.4	1 1/4"-18 UNEF 2A	50.5	Yes
GS72-22-A10SN-EAA	22	10	37.4	1 1/4"-18 UNEF 2A	50.5	Yes
GS72-24-2PN-EAA	24	7	41.0	1 3/8"-18 UNEF 2A	50.5	Yes
GS72-24-2SN-EAA	24	7	41.0	1 3/8"-18 UNEF 2A	50.5	Yes
GS72-24-5PN-EAA	24	16	41.0	1 3/8"-18 UNEF 2A	50.5	Yes
GS72-24-5SN-EAA	24	16	41.0	1 3/8"-18 UNEF 2A	50.5	Yes
GS72-24-07PN-EAA	24	7	41.0	1 3/8"-18 UNEF 2A	50.5	Yes

Item number	Size	Number of contacts	D1 (Ø)	N1	L1 (mm)	EMI
GS72-24-07SN-EAA	24	7	41.0	1 3/8"-18 UNEF 2A	50.5	Yes
GS72-24-9PN-EAA	24	2	41.0	1 3/8"-18 UNEF 2A	50.5	Yes
GS72-24-9SN-EAA	24	2	41.0	1 3/8"-18 UNEF 2A	50.5	Yes
GS72-24-10PN-EAA	24	7	41.0	1 3/8"-18 UNEF 2A	50.5	Yes
GS72-24-10SN-EAA	24	7	41.0	1 3/8"-18 UNEF 2A	50.5	Yes
GS72-24-11PN-EAA	24	9	41.0	1 3/8"-18 UNEF 2A	50.5	Yes
GS72-24-11SN-EAA	24	9	41.0	1 3/8"-18 UNEF 2A	50.5	Yes
GS72-24-12PN-EAA	24	5	41.0	1 3/8"-18 UNEF 2A	50.5	Yes
GS72-24-12SN-EAA	24	5	41.0	1 3/8"-18 UNEF 2A	50.5	Yes
GS72-24-19PN-EAA	24	12	41.0	1 3/8"-18 UNEF 2A	50.5	Yes
GS72-24-19SN-EAA	24	12	41.0	1 3/8"-18 UNEF 2A	50.5	Yes
GS72-24-20PN-EAA	24	11	41.0	1 3/8"-18 UNEF 2A	50.5	Yes
GS72-24-20SN-EAA	24	11	41.0	1 3/8"-18 UNEF 2A	50.5	Yes
GS72-24-22PN-EAA	24	4	41.0	1 3/8"-18 UNEF 2A	50.5	Yes
GS72-24-22SN-EAA	24	4	41.0	1 3/8"-18 UNEF 2A	50.5	Yes
GS72-24-27PN-EAA	24	7	41.0	1 3/8"-18 UNEF 2A	50.5	Yes
GS72-24-27SN-EAA	24	7	41.0	1 3/8"-18 UNEF 2A	50.5	Yes
GS72-24-28PN-EAA	24	24	41.0	1 3/8"-18 UNEF 2A	50.5	Yes
GS72-24-28SN-EAA	24	24	41.0	1 3/8"-18 UNEF 2A	50.5	Yes
GS72-24-A25PN-EAA	24	25	41.0	1 3/8"-18 UNEF 2A	50.5	Yes
GS72-24-A25SN-EAA	24	25	41.0	1 3/8"-18 UNEF 2A	50.5	Yes
GS72-24-A28PN-EAA	28	28	46.7	1 5/8"-18 UNEF 2A	52.0	Yes
GS72-24-A28SN-EAA	28	28	46.7	1 5/8"-18 UNEF 2A	52.0	Yes
GS72-28-1PN-EAA	28	9	46.7	1 5/8"-18 UNEF 2A	52.0	Yes
GS72-28-1SN-EAA	28	9	46.7	1 5/8"-18 UNEF 2A	52.0	Yes
GS72-28-2PN-EAA	28	14	46.7	1 5/8"-18 UNEF 2A	52.0	Yes
GS72-28-2SN-EAA	28	14	46.7	1 5/8"-18 UNEF 2A	52.0	Yes
GS72-28-3PN-EAA	28	3	46.7	1 5/8"-18 UNEF 2A	52.0	Yes
GS72-28-3SN-EAA	28	3	46.7	1 5/8"-18 UNEF 2A	52.0	Yes
GS72-28-5PN-EAA	28	5	46.7	1 5/8"-18 UNEF 2A	52.0	Yes
GS72-28-5SN-EAA	28	5	46.7	1 5/8"-18 UNEF 2A	52.0	Yes
GS72-28-6PN-EAA	28	3	46.7	1 5/8"-18 UNEF 2A	52.0	Yes
GS72-28-6SN-EAA	28	3	46.7	1 5/8"-18 UNEF 2A	52.0	Yes
GS72-28-10PN-EAA	28	7	46.7	1 5/8"-18 UNEF 2A	52.0	Yes
GS72-28-10SN-EAA	28	7	46.7	1 5/8"-18 UNEF 2A	52.0	Yes
GS72-28-11PN-EAA	28	22	46.7	1 5/8"-18 UNEF 2A	52.0	Yes
GS72-28-11SN-EAA	28	22	46.7	1 5/8"-18 UNEF 2A	52.0	Yes
GS72-28-12PN-EAA	28	26	46.7	1 5/8"-18 UNEF 2A	52.0	Yes
GS72-28-12SN-EAA	28	26	46.7	1 5/8"-18 UNEF 2A	52.0	Yes
GS72-28-15PN-EAA	28	35	46.7	1 5/8"-18 UNEF 2A	52.0	Yes
GS72-28-15SN-EAA	28	35	46.7	1 5/8"-18 UNEF 2A	52.0	Yes
GS72-28-16PN-EAA	28	20	46.7	1 5/8"-18 UNEF 2A	52.0	Yes
GS72-28-16SN-EAA	28	20	46.7	1 5/8"-18 UNEF 2A	52.0	Yes
GS72-28-20PN-EAA	28	14	46.7	1 5/8"-18 UNEF 2A	52.0	Yes
GS72-28-20SN-EAA	28	14	46.7	1 5/8"-18 UNEF 2A	52.0	Yes
GS72-28-21PN-EAA	28	37	46.7	1 5/8"-18 UNEF 2A	52.0	Yes
GS72-28-21SN-EAA	28	37	46.7	1 5/8"-18 UNEF 2A	52.0	Yes

Item number	Size	Number of contacts	D1 (Ø)	N1	L1 (mm)	EMI
GS72-28-22PN-EAA	28	6	46.7	1 5/8"-18 UNEF 2A	52.0	Yes
GS72-28-22SN-EAA	28	6	46.7	1 5/8"-18 UNEF 2A	52.0	Yes
GS72-28-51PN-EAA	28	12	46.7	1 5/8"-18 UNEF 2A	52.0	Yes
GS72-28-51SN-EAA	28	12	46.7	1 5/8"-18 UNEF 2A	52.0	Yes
GS72-32-1PN-EAA	32	5	53.5	1 7/8"-16 UN 2A	52.0	Yes
GS72-32-1SN-EAA	32	5	53.5	1 7/8"-16 UN 2A	52.0	Yes
GS72-32-5PN-EAA	32	2	53.5	1 7/8"-16 UN 2A	52.0	Yes
GS72-32-5SN-EAA	32	2	53.5	1 7/8"-16 UN 2A	52.0	Yes
GS72-32-8PN-EAA	32	30	53.5	1 7/8"-16 UN 2A	52.0	Yes
GS72-32-8SN-EAA	32	30	53.5	1 7/8"-16 UN 2A	52.0	Yes
GS72-32-013PN-EAA	32	13	53.5	1 7/8"-16 UN 2A	52.0	Yes
GS72-32-013SN-EAA	32	13	53.5	1 7/8"-16 UN 2A	52.0	Yes
GS72-32-15PN-EAA	32	8	53.5	1 7/8"-16 UN 2A	52.0	Yes
GS72-32-15SN-EAA	32	8	53.5	1 7/8"-16 UN 2A	52.0	Yes
GS72-32-17PN-EAA	32	4	53.5	1 7/8"-16 UN 2A	52.0	Yes
GS72-32-17SN-EAA	32	4	53.5	1 7/8"-16 UN 2A	52.0	Yes
GS72-32-22PN-EAA	32	54	53.5	1 7/8"-16 UN 2A	52.0	Yes
GS72-32-22SN-EAA	32	54	53.5	1 7/8"-16 UN 2A	52.0	Yes
GS72-32-31PN-EAA	32	31	53.5	1 7/8"-16 UN 2A	52.0	Yes
GS72-32-31SN-EAA	32	31	53.5	1 7/8"-16 UN 2A	52.0	Yes
GS72-32-59PN-EAA	32	42	53.5	1 7/8"-16 UN 2A	52.0	Yes
GS72-32-59SN-EAA	32	42	53.5	1 7/8"-16 UN 2A	52.0	Yes
GS72-32-A9PN-EAA	32	9	53.5	1 7/8"-16 UN 2A	52.0	Yes
GS72-32-A9SN-EAA	32	9	53.5	1 7/8"-16 UN 2A	52.0	Yes
GS72-32-A30PN-EAA	32	30	53.5	1 7/8"-16 UN 2A	52.0	Yes
GS72-32-A30SN-EAA	32	30	53.5	1 7/8"-16 UN 2A	52.0	Yes
GS72-32-A55PN-EAA	32	55	53.5	1 7/8"-16 UN 2A	52.0	Yes
GS72-32-A55SN-EAA	32	55	53.5	1 7/8"-16 UN 2A	52.0	Yes
GS72-36-3PN-EAA	36	6	59.6	2 1/16"-16 UN 2A	52.0	Yes
GS72-36-3SN-EAA	36	6	59.6	2 1/16"-16 UN 2A	52.0	Yes
GS72-36-5PN-EAA	36	4	59.6	2 1/16"-16 UN 2A	52.0	Yes
GS72-36-5SN-EAA	36	4	59.6	2 1/16"-16 UN 2A	52.0	Yes
GS72-36-7PN-EAA	36	47	59.6	2 1/16"-16 UN 2A	52.0	Yes
GS72-36-7SN-EAA	36	47	59.6	2 1/16"-16 UN 2A	52.0	Yes
GS72-36-10PN-EAA	36	48	59.6	2 1/16"-16 UN 2A	52.0	Yes
GS72-36-10SN-EAA	36	48	59.6	2 1/16"-16 UN 2A	52.0	Yes
GS72-36-15PN-EAA	36	35	59.6	2 1/16"-16 UN 2A	52.0	Yes
GS72-36-15SN-EAA	36	35	59.6	2 1/16"-16 UN 2A	52.0	Yes
GS72-36-A22PN-EAA	36	22	59.6	2 1/16"-16 UN 2A	52.0	Yes
GS72-36-A22SN-EAA	36	22	59.6	2 1/16"-16 UN 2A	52.0	Yes
GS72-40-9PN-EAA	40	47	66.0	2 5/16"-16 UN 2A	62.0	Yes
GS72-40-9SN-EAA	40	47	66.0	2 5/16"-16 UN 2A	62.0	Yes
GS72-40-31PN-EAA	40	31	66.0	2 5/16"-16 UN 2A	62.0	Yes
GS72-40-31SN-EAA	40	31	66.0	2 5/16"-16 UN 2A	62.0	Yes
GS72-40-35PN-EAA	40	35	66.0	2 5/16"-16 UN 2A	62.0	Yes
GS72-40-35SN-EAA	40	35	66.0	2 5/16"-16 UN 2A	62.0	Yes
GS72-40-56PN-EAA	40	85	66.0	2 5/16"-16 UN 2A	62.0	Yes

Item number	Size	Number of contacts	D1 (Ø)	N1	L1 (mm)	EMI
GS72-40-56SN-EAA	40	85	66.0	2 5/16"-16 UN 2A	62.0	Yes
GS72-40-63PN-EAA	40	61	66.0	2 5/16"-16 UN 2A	62.0	Yes
GS72-40-63SN-EAA	40	61	66.0	2 5/16"-16 UN 2A	62.0	Yes
GS72-40-A3PN-EAA	40	3	66.0	2 5/16"-16 UN 2A	62.0	Yes
GS72-40-A3SN-EAA	40	3	66.0	2 5/16"-16 UN 2A	62.0	Yes
GS72-40-A4PN-EAA	40	4	66.0	2 5/16"-16 UN 2A	62.0	Yes
GS72-40-A4SN-EAA	40	4	66.0	2 5/16"-16 UN 2A	62.0	Yes
GS72-40-A8PN-EAA	40	8	66.0	2 5/16"-16 UN 2A	62.0	Yes
GS72-40-A8SN-EAA	40	8	66.0	2 5/16"-16 UN 2A	62.0	Yes
GS72-40-A10PN-EAA	40	8	66.0	2 5/16"-16 UN 2A	62.0	Yes
GS72-40-A10SN-EAA	40	8	66.0	2 5/16"-16 UN 2A	62.0	Yes
GS72-40-A14PN-EAA	40	14	66.0	2 5/16"-16 UN 2A	62.0	Yes
GS72-40-A14SN-EAA	40	14	66.0	2 5/16"-16 UN 2A	62.0	Yes
GS72-40-A20PN-EAA	40	20	66.0	2 5/16"-16 UN 2A	62.0	Yes
GS72-40-A20SN-EAA	40	20	66.0	2 5/16"-16 UN 2A	62.0	Yes
GS72-40-A25PN-EAA	40	25	66.0	2 5/16"-16 UN 2A	62.0	Yes
GS72-40-A25SN-EAA	40	25	66.0	2 5/16"-16 UN 2A	62.0	Yes
GS72-40-A47PN-EAA	40	47	66.0	2 5/16"-16 UN 2A	62.0	Yes
GS72-40-A47SN-EAA	40	47	66.0	2 5/16"-16 UN 2A	62.0	Yes
GS72-40-A60PN-EAA	40	60	66.0	2 5/16"-16 UN 2A	62.0	Yes
GS72-40-A60SN-EAA	40	60	66.0	2 5/16"-16 UN 2A	62.0	Yes
GS72-40-A62PN-EAA	40	62	66.0	2 5/16"-16 UN 2A	62.0	Yes
GS72-40-A62SN-EAA	40	62	66.0	2 5/16"-16 UN 2A	62.0	Yes
GS72-40-B37PN-EAA	40	37	66.0	2 5/16"-16 UN 2A	62.0	Yes
GS72-40-B37SN-EAA	40	37	66.0	2 5/16"-16 UN 2A	62.0	Yes