

Sealing gasket for receptacle, rear panel mount, conductive

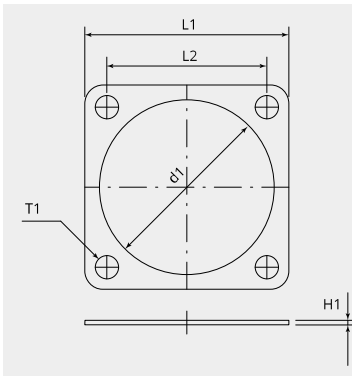
Item number: 10-40451-32S

Mechanical properties

Size: 32

EMI: Yes

Material sealing ring: Alu-Flex



Dimensional drawing

d1 (Ø): 53.4

L1 (mm): 57.0

L2 (mm): 44.5

H1 (mm): 0.5

T1 (mm): 5.6