

Sealing insert / Grommet

14S-2

Item number: BG14S-2-E

Net weight: 0.0017 kg

Mechanical properties

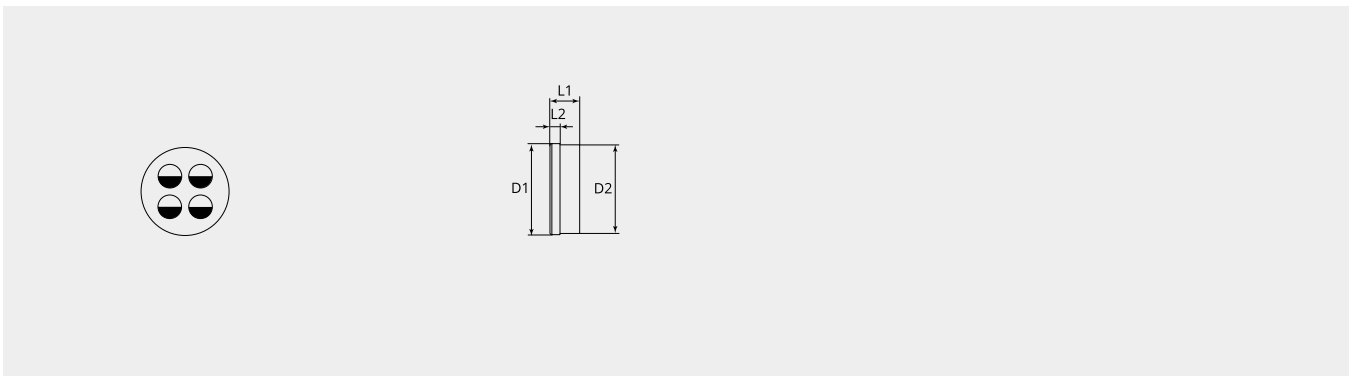
Size: 14S

Thermal properties

Material contact insert: Ethylene acrylate GXF / thermoplastic

Operating temperature: -55°C - +150°C

Fire protection class DIN EN 45545-2: R23/HL3



Dimensional drawing

D1 (Ø): 14.1

D2 (Ø): 12.3

L1 (mm): 10.2

L2 (mm): 2.3

Grommets are sitting inside the backshells. The applied compression ring compresses the grommet during tightening the backshell to the plug/receptacle. The grommet deforms and seals and support the installed wires accordingly. The compression ring also avoid increasing friction (gliding ring) if tightening the backshell onto the plug/receptacle that may cause distortion of the elastomeric grommet.

For 90° elbow backshells, no compression rings are needed.