



# Sealing insert / Grommet

32-1

Item number: BG32-1-E

## Mechanical properties

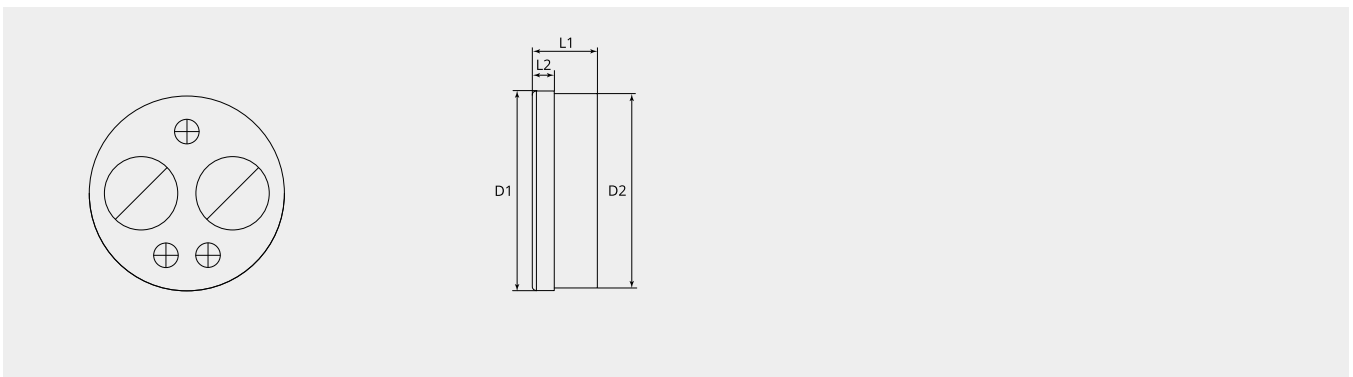
Size: 32

## Thermal properties

Material contact insert: Ethylene acrylate GXF / thermoplastic

Operating temperature: -55°C - +150°C

Fire protection class DIN EN 45545-2: R23/HL3



## Dimensional drawing

D1 (Ø): 41.5

D2 (Ø): 38.3

L1 (mm): 16.6

L2 (mm): 6.6

Grommets are sitting inside the backshells. The applied compression ring compresses the grommet during tightening the backshell to the plug/receptacle. The grommet deforms and seals and support the installed wires accordingly. The compression ring also avoid increasing friction (gliding ring) if tightening the backshell onto the plug/receptacle that may cause distortion of the elastomeric grommet.