



Heatshrinkable shape, straight, with adhesive

Free of halogene, chemically cross linked, flexible

Item number: FTH35-16

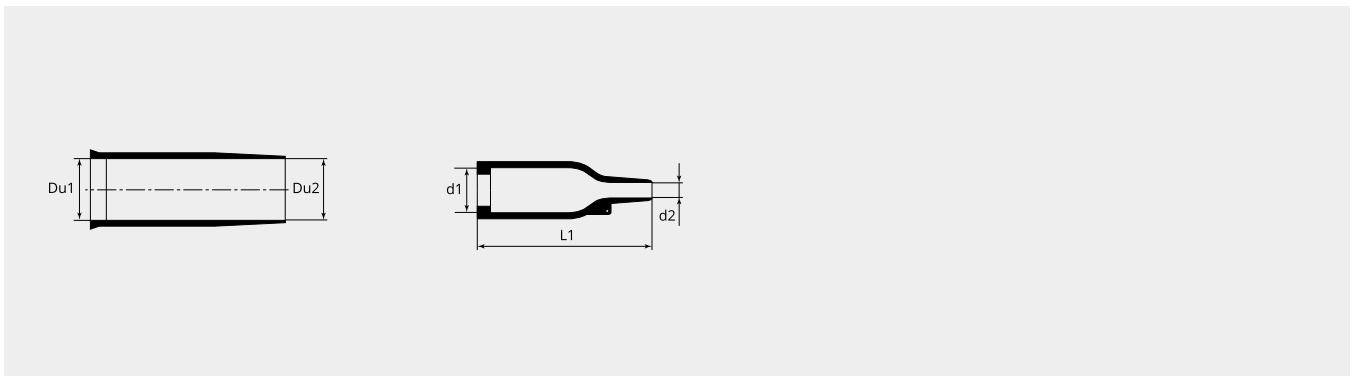
Packing unit: 1

Mechanical properties

Material:	Polyolefin, cross-linked (PO-X)
Adhesive:	Modified polyamide hot melt adhesive
Surface colour:	black

Thermal properties

Fire protection class:	VG95343
------------------------	---------



Dimensional drawing

Du1 (mm):	60.0
Du2 (mm):	60.0
d1 (Ø):	35.0
d2 (Ø):	16.0
L1 (mm):	90.0