



Heatshrinkable shape, straight, with adhesive

Free of halogene, chemically cross linked, flexible

Item number: FTH45-17

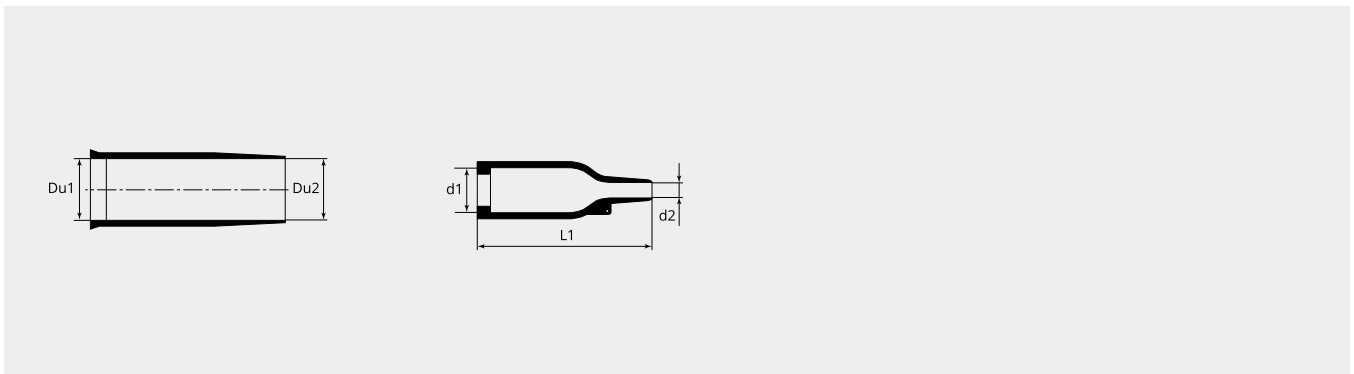
Packing unit: 1

Mechanical properties

| | |
|-----------------|--------------------------------------|
| Material: | Polyolefin, cross-linked (PO-X) |
| Adhesive: | Modified polyamide hot melt adhesive |
| Surface colour: | black |

Thermal properties

| | |
|------------------------|---------|
| Fire protection class: | VG95343 |
|------------------------|---------|



Dimensional drawing

| | |
|-----------|-------|
| Du1 (mm): | 66.0 |
| Du2 (mm): | 66.0 |
| d1 (Ø): | 45.0 |
| d2 (Ø): | 17.0 |
| L1 (mm): | 130.0 |