



Receptacle, front panel mount

Series GB

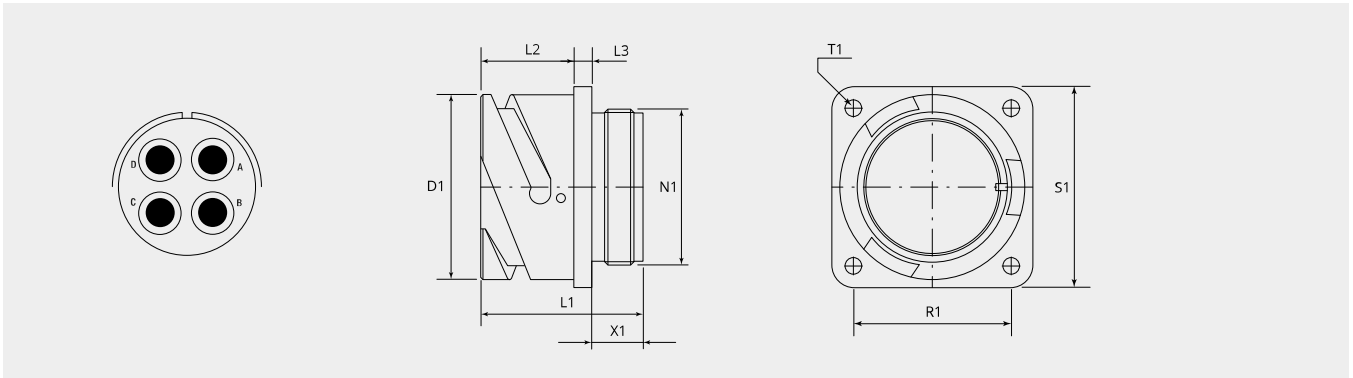
Item number: GB210-22-22PN-EAC

Mechanical properties

Size:	22
Contact type:	Pin
Coding options:	3
Number of contacts, size 8H:	4
Shell material:	Aluminum alloy
Surface treatment:	Epoxy-polyurethane
Type of surface:	varnished
Thickness of surface treatment:	13-16 μ
Surface colour:	black
Corrosion resistance (h):	500
Operation temperature:	-55°C - +125°C
Temperature shock:	-55°C - +125°C
Conductivity (M Ω):	non conductive
EMI:	No
Coupling-torque to lock (Nm):	max. 6.0
Coupling-torque to open (Nm):	min. 1.5

Thermal properties

Material contact insert:	Ethylene acrylate GXF
Operating temperature:	-55°C - +150°C
Fire protection class DIN EN 45545-2:	R23/HL3



Dimensional drawing

D1 (∅):	37.4
L1 (mm):	34.3
L2 (mm):	19.0
L3 (mm):	4.0
N1:	1 1/4"-18 UNEF 2A
T1 (mm):	3.2
X1 (mm):	9.0
S1 (mm):	41.0
R1 (mm):	31.8

Electrical properties

Operating voltage DC (V):	700
Operating voltage AC (V):	500
Test voltage AC (V):	2000
Insulation resistance (Ω m):	≥ 5000
Insulation creepage distance (mm):	≥ 3.2
Voltage class:	MIL-DTL-5015

Electrical properties contacts

Size 8H - nominal current (A):	56
Size 8H - maximal current (A):	90
Size 8H - test current (A):	72

Please contact your Gimota partner for other shell materials, surface coatings or contact insert materials.

Voltage classes tested acc. MIL-DTL-5015

Power transmission verification acc. VG95234 / 2 test 5.10.1 and VG95210 / 37

Corrosion resistance tested acc. MIL 1344A Test 101.1

Temperature shock tested acc. MIL 202F, 107G Method

Electrical conductivity acc. MIL 1344A, Test 3007

Complementary products:

Counterpart:



GB60-22-22SN-EAC

Plug with bayonet coupling nut

Backshell:



BEN22-AC

90° elbow back shell



BEN22-M4B-AC

90° elbow back shell with internal metric thread



BSH22-AC

Back shell with groove for heatshrinkable shapes



BSL22-AC

Back shell straight, long



BSN22-AC

Back shell straight, standard



BSN22-M5B-AC

Back shell straight with internal metric thread



BST22-AC

Termination back shell type R for grommets

Contacts:**10-40794-18AG**Pin contact size 8H, 1.5mm²**10-40794-22AG**Pin contact size 8H, 2.5mm²**10-40794-38AG**Pin contact size 8H, 6mm²**10-40794-50AG**Pin contact size 8H, 10mm²**Filler plugs:****10-101033-141**

Filler plug, size 8H

Protection cap:**PR22-AC**

Metallic protection cap to bayonet receptacle (GB,GR & GS)

**PR22-D**

Plastic protection cap to bayonet receptacles (GB, GR &GS)