



# Receptacle, front panel mount

Series GB

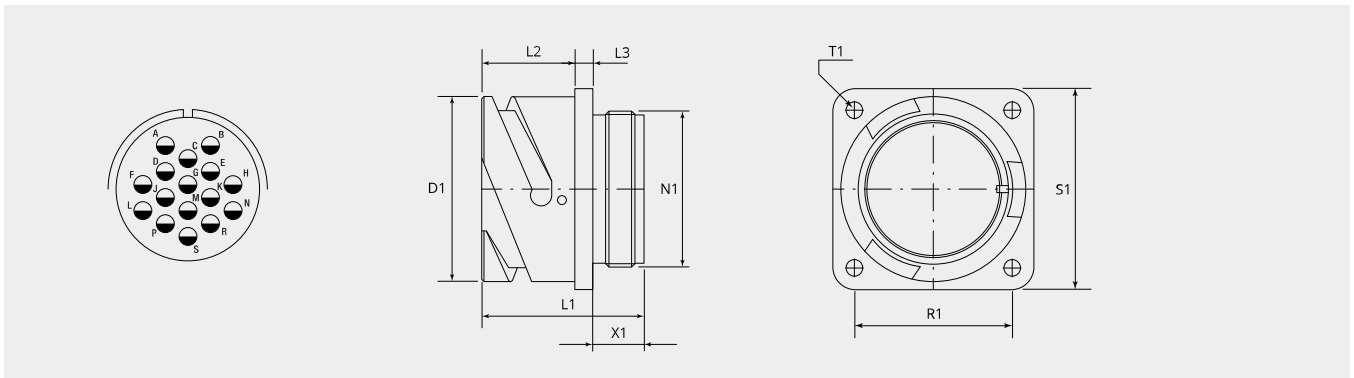
Item number: GB210-24-5PN-EAC

## Mechanical properties

|                                 |                    |
|---------------------------------|--------------------|
| Size:                           | 24                 |
| Contact type:                   | Pin                |
| Coding options:                 | 4                  |
| Number of contacts, size 16:    | 16                 |
| Shell material:                 | Aluminum alloy     |
| Surface treatment:              | Epoxy-polyurethane |
| Type of surface:                | varnished          |
| Thickness of surface treatment: | 13-16 $\mu$        |
| Surface colour:                 | black              |
| Corrosion resistance (h):       | 500                |
| Operation temperature:          | -55°C - +125°C     |
| Temperature shock:              | -55°C - +125°C     |
| Conductivity (M $\Omega$ ):     | non conductive     |
| EMI:                            | No                 |
| Coupling-torque to lock (Nm):   | max. 6.5           |
| Coupling-torque to open (Nm):   | min. 2.0           |

## Thermal properties

|                                       |                       |
|---------------------------------------|-----------------------|
| Material contact insert:              | Ethylene acrylate GXF |
| Operating temperature:                | -55°C - +150°C        |
| Fire protection class DIN EN 45545-2: | R23/HL3               |



## Dimensional drawing

|                 |                   |
|-----------------|-------------------|
| <b>D1 (∅):</b>  | 41.0              |
| <b>L1 (mm):</b> | 36.0              |
| <b>L2 (mm):</b> | 20.6              |
| <b>L3 (mm):</b> | 4.0               |
| <b>N1:</b>      | 1 3/8"-18 UNEF 2A |
| <b>T1 (mm):</b> | 3.7               |
| <b>X1 (mm):</b> | 9.0               |
| <b>S1 (mm):</b> | 44.5              |
| <b>R1 (mm):</b> | 35.0              |

## Electrical properties

|   |              |
|---|--------------|
| <b>Operating voltage DC (V):</b>          | 700          |
| <b>Operating voltage AC (V):</b>          | 500          |
| <b>Test voltage AC (V):</b>               | 2000         |
| <b>Insulation resistance (Ω m):</b>       | ≥ 5000       |
| <b>Insulation creepage distance (mm):</b> | ≥ 3.2        |
| <b>Voltage class:</b>                     | MIL-DTL-5015 |

## Electrical properties contacts

|  |    |
|--|----|
| <b>Size 16 - nominal current [continuous] (A):</b> | 13 |
| <b>Size 16 - maximal current [short-term] (A):</b> | 22 |
| <b>Size 16 - test current (A):</b>                 | 20 |

**Please contact your Gimota partner for other shell materials, surface coatings or contact insert materials.**

Voltage classes tested acc. MIL-DTL-5015

Power transmission verification acc. VG95234 / 2 test 5.10.1 and VG95210 / 37

Corrosion resistance tested acc. MIL 1344A Test 101.1

Temperature shock tested acc. MIL 202F, 107G Method

Electrical conductivity acc. MIL 1344A, Test 3007

## Complementary products:

### Counterpart:



#### **GB60-24-5SN-EAC**

Plug with bayonet coupling nut



#### **GB603-24-5SN-EAC**

Plug with rubber coated coupling nut, short version

### Backshell:



#### **BEN24-AC**

90° elbow back shell



#### **BEN24-M5B-AC**

90° elbow back shell with internal metric thread



#### **BSH24-AC**

Back shell with groove for heatshrinkable shapes



#### **BSL24-AC**

Backshell straight, long



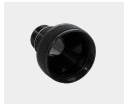
#### **BSN24-AC**

Back shell straight, standard



#### **BSN24-M5B-AC**

Backshell straight with internal metric thread



#### **BSR24-18-AC**

Reducer back shell



#### **BST24-AC**

Termination back shell type R for grommets

#### Cable termination:



**10-350349K-2432**

Synthetic cable clamp

#### Contacts:



**10-40557-05AU**

Pin contact size 16, 0.25 -0.5mm<sup>2</sup>



**10-40557-075AU**

Pin contact size 16, 0.75mm<sup>2</sup>



**10-40557-20-1AU**

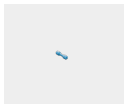
Pin contact size 16, 1.5mm<sup>2</sup>



**10-40557AU**

Pin contact size 16, 1.0mm<sup>2</sup>

#### Filler plugs:



**10-101033-121**

Filler plug, size 16/16S

#### Protection cap:



**PR24-AC**

Metallic protection cap to bayonet receptacle (GB,GR & GS)



**PR24-D**

Plastic protection cap to bayonet receptacles (GB, GR &GS)