



# Receptacle, front panel mount

## Series GB

Item number: GB210-32-013PN-EAC

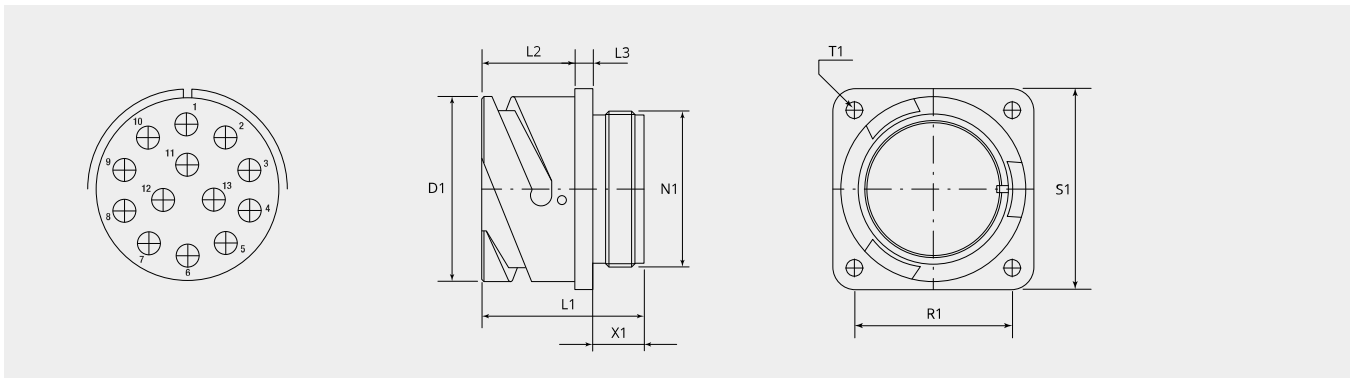
Net weight: 0.092 kg

## Mechanical properties

Size:	32
Contact type:	Pin
Coding options:	4
Number of contacts, size 12:	13
Shell material:	Aluminum alloy
Surface treatment:	Epoxy-polyurethane
Type of surface:	varnished
Thickness of surface treatment:	13-16 $\mu$
Surface colour:	black
Corrosion resistance (h):	500
Operation temperature:	-55°C - +125°C
Temperature shock:	-55°C - +125°C
Conductivity (M $\Omega$ ):	non conductive
EMI:	No
Coupling-torque to lock (Nm):	max. 8.0
Coupling-torque to open (Nm):	min. 3.6

## Thermal properties

Material contact insert:	Ethylene acrylate GXF
Operating temperature:	-55°C - +150°C
Fire protection class DIN EN 45545-2:	R23/HL3



## Dimensional drawing

<b>D1 (Ø):</b>	53.4
<b>L1 (mm):</b>	37.5
<b>L2 (mm):</b>	22.2
<b>L3 (mm):</b>	4.0
<b>N1:</b>	1 7/8"-16 UN 2A
<b>T1 (mm):</b>	4.3
<b>X1 (mm):</b>	10.5
<b>S1 (mm):</b>	57.0
<b>R1 (mm):</b>	44.5

## Electrical properties

<b>Operating voltage AC (V):</b>	250/450*
<b>Insulation resistance (Ω m):</b>	≥ 5000
<b>Voltage class:</b>	SEV-EN60998-1
<b>Contact numbers:</b>	All
<b>Operating voltage DC (V):</b>	1250
<b>Operating voltage AC (V):</b>	900
<b>Test voltage AC (V):</b>	2800
<b>Insulation resistance (Ω m):</b>	≥ 5000
<b>Insulation creepage distance (mm):</b>	≥ 4.8
<b>Voltage class:</b>	MIL-DTL-5015

## Electrical properties contacts

<b>Size 12 - nominal current (A):</b>	23
<b>Size 12 - maximal current (A):</b>	41
<b>Size 12 - test current (A):</b>	35

**Please contact your Gimota partner for other shell materials, surface coatings or contact insert materials.**

Voltage classes tested acc. MIL-DTL-5015

Power transmission verification acc. VG95234 / 2 test 5.10.1 and VG95210 / 37

Corrosion resistance tested acc. MIL 1344A Test 101.1

Temperature shock tested acc. MIL 202F, 107G Method

Electrical conductivity acc. MIL 1344A, Test 3007