



Receptacle, front panel mount

Series GB

Item number: GB210-32-013PN-EAC

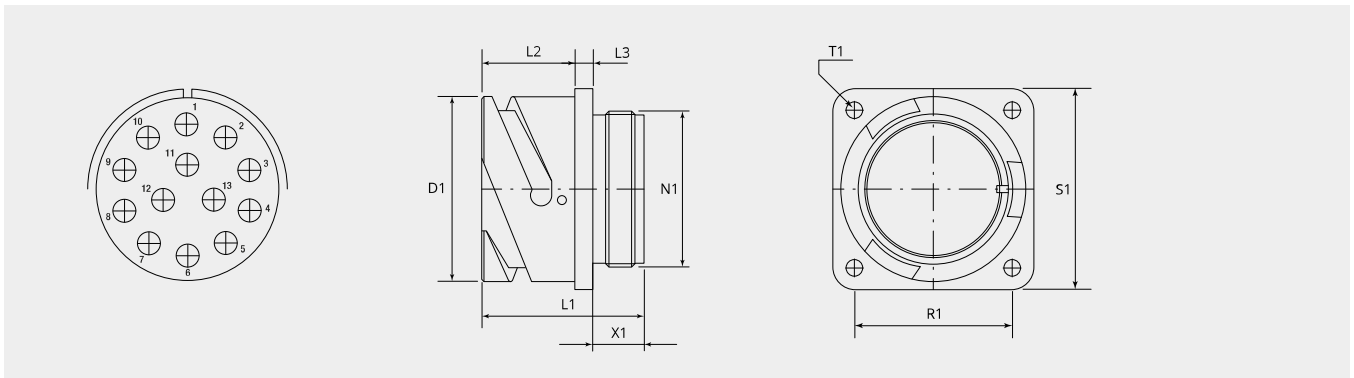
Net weight: 0.092 kg

Mechanical properties

Size:	32
Contact type:	Pin
Coding options:	4
Number of contacts, size 12:	13
Shell material:	Aluminum alloy
Surface treatment:	Epoxy-polyurethane
Type of surface:	varnished
Thickness of surface treatment:	13-16 μ
Surface colour:	black
Corrosion resistance (h):	500
Operation temperature:	-55°C - +125°C
Temperature shock:	-55°C - +125°C
Conductivity (M Ω):	non conductive
EMI:	No
Coupling-torque to lock (Nm):	max. 8.0
Coupling-torque to open (Nm):	min. 3.6

Thermal properties

Material contact insert:	Ethylene acrylate GXF
Operating temperature:	-55°C - +150°C
Fire protection class DIN EN 45545-2:	R23/HL3



Dimensional drawing

D1 (Ø):	53.4
L1 (mm):	37.5
L2 (mm):	22.2
L3 (mm):	4.0
N1:	1 7/8"-16 UN 2A
T1 (mm):	4.3
X1 (mm):	10.5
S1 (mm):	57.0
R1 (mm):	44.5

Electrical properties

Operating voltage AC (V):	250/450*
Insulation resistance (Ω m):	≥ 5000
Voltage class:	SEV-EN60998-1
Contact numbers:	All
Operating voltage DC (V):	1250
Operating voltage AC (V):	900
Test voltage AC (V):	2800
Insulation resistance (Ω m):	≥ 5000
Insulation creepage distance (mm):	≥ 4.8
Voltage class:	MIL-DTL-5015

Electrical properties contacts

Size 12 - nominal current (A):	23
Size 12 - maximal current (A):	41
Size 12 - test current (A):	35

Please contact your Gimota partner for other shell materials, surface coatings or contact insert materials.

Voltage classes tested acc. MIL-DTL-5015

Power transmission verification acc. VG95234 / 2 test 5.10.1 and VG95210 / 37

Corrosion resistance tested acc. MIL 1344A Test 101.1

Temperature shock tested acc. MIL 202F, 107G Method

Electrical conductivity acc. MIL 1344A, Test 3007

Complementary products:

Counterpart:



GB60-32-013SN-EAC

Plug with bayonet coupling nut



GB603-32-013SN-EAC

Plug with rubber coated coupling nut, short version

Backshell:



BEN32-AC

90° elbow back shell



BEN32-M6B-AC

90° elbow back shell with internal metric thread



BSE32-36-AC

Enlarger back shell



BSH32-AC

Back shell with groove for heatshrinkable shapes



BSL32-AC

Back shell straight, long



BSN32-AC

Back shell straight, standard



BSN32-M6B-AC

Back shell straight with internal metric thread



BSR32-18-AC

Reducer back shell



BST32-AC

Termination back shell type R for grommets

Cable termination:



10-350349K-323

Synthetic cable clamp

Contacts:



10-40561-11AU

Pin contact size 12, 0.5mm²



10-40561-15AU

Pin contact size 12, 0.75 - 1.0mm²



10-40561-18AU

Pin contact size 12, 1.5mm²



10-40561-22AU

Pin contact size 12, 2.5mm²



10-40561-30AU

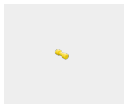
Pin contact size 12, 4.0mm²



10-40561-38AU

Pin contact size 12, 6.0mm²

Filler plugs:



10-101033-131

Filler plug, size 12

Protection cap:



PR32-AC

Metallic protection cap to bayonet receptacle (GB,GR & GS)



PR32-D

Plastic protection cap to bayonet receptacles (GB, GR & GS)