



# Receptacle, front panel mount

Series GB

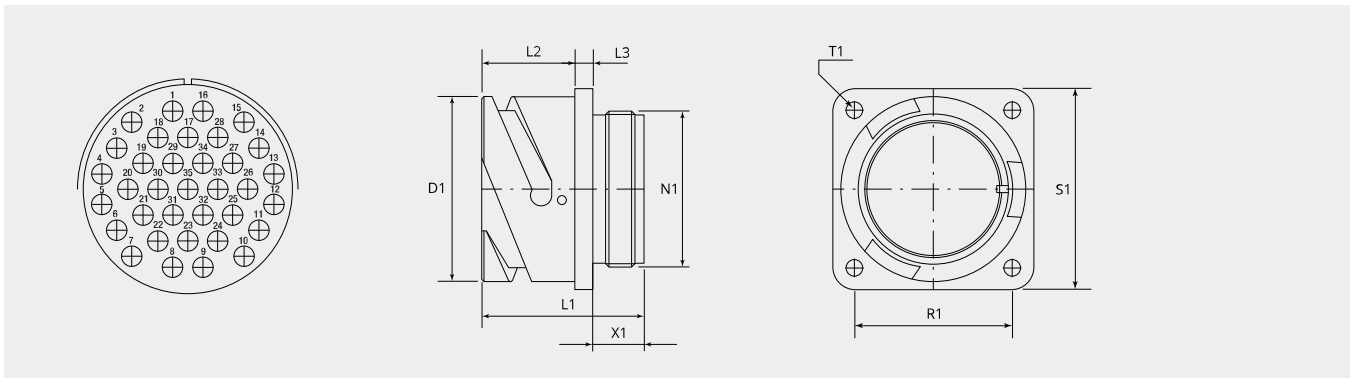
Item number: GB210-40-35SN-EAC

## Mechanical properties

Size:	40
Contact type:	Socket
Coding options:	4
Number of contacts, size 12:	35
Shell material:	Aluminum alloy
Surface treatment:	Epoxy-polyurethane
Type of surface:	varnished
Thickness of surface treatment:	13-16 $\mu$
Surface colour:	black
Corrosion resistance (h):	500
Operation temperature:	-55°C - +125°C
Temperature shock:	-55°C - +125°C
Conductivity (M $\Omega$ ):	non conductive
EMI:	No
Coupling-torque to lock (Nm):	max. 10.0
Coupling-torque to open (Nm):	min. 5.9

## Thermal properties

Material contact insert:	Ethylene acrylate GXF
Operating temperature:	-55°C - +150°C
Fire protection class DIN EN 45545-2:	R23/HL3



## Dimensional drawing

<b>D1 (Ø):</b>	66.0
<b>L1 (mm):</b>	37.5
<b>L2 (mm):</b>	22.2
<b>L3 (mm):</b>	4.0
<b>N1:</b>	2 5/16"-16 UN 2A
<b>T1 (mm):</b>	4.3
<b>X1 (mm):</b>	11.3
<b>S1 (mm):</b>	69.8
<b>R1 (mm):</b>	55.6

## Electrical properties

<b>Operating voltage AC (V):</b>	130/250*
<b>Insulation resistance (Ω m):</b>	≥ 5000
<b>Voltage class:</b>	SEV-EN60998-1
<b>Contact numbers:</b>	All
<b>Operating voltage DC (V):</b>	1250
<b>Operating voltage AC (V):</b>	900
<b>Test voltage AC (V):</b>	2800
<b>Insulation resistance (Ω m):</b>	≥ 5000
<b>Insulation creepage distance (mm):</b>	≥ 4.8
<b>Voltage class:</b>	MIL-DTL-5015

## Electrical properties contacts

<b>Size 12 - nominal current (A):</b>	23
<b>Size 12 - maximal current (A):</b>	41
<b>Size 12 - test current (A):</b>	35

Please contact your Gimota partner for other shell materials, surface coatings or contact insert materials.

Voltage classes tested acc. MIL-DTL-5015

Power transmission verification acc. VG95234 / 2 test 5.10.1 and VG95210 / 37

Corrosion resistance tested acc. MIL 1344A Test 101.1

Temperature shock tested acc. MIL 202F, 107G Method

Electrical conductivity acc. MIL 1344A, Test 3007

## Complementary products:

### Counterpart:



#### GB60-40-35PN-EAC

Plug with bayonet coupling nut



#### GB603-40-35PN-EAC

Plug with rubber coated coupling nut, short version

### Backshell:



#### BEN40-AC

90° elbow back shell



#### BEN40-M7B-AC

90° elbow back shell with internal metric thread



#### BSH40-AC

Back shell with groove for heatshrinkable shapes



#### BSL40-AC

Backshell straight, long



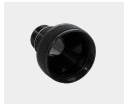
#### BSN40-AC

Back shell straight, standard



#### BSN40-M7B-AC

Backshell straight with internal metric thread



#### BSR40-32-AC

Reducer back shell



#### BSR40-36-AC

Reducer back shell



#### BST40-AC

Termination back shell type R for grommets

#### Cable termination:



**10-350349K-403**

Synthetic cable clamp



**10-350349K-4040**

Synthetic cable clamp

---

#### Contacts:



**10-40560-11AU**

Socket contact size 12, 0.5mm<sup>2</sup>



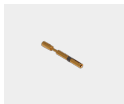
**10-40560-15AU**

Socket contact size 12, 0.75 - 1.0mm<sup>2</sup>



**10-40560-18AU**

Socket contact size 12, 1.5mm<sup>2</sup>



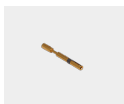
**10-40560-22AU**

Socket contact size 12, 2.5mm<sup>2</sup>



**10-40560-30AU**

Socket contact size 12, 4.0mm<sup>2</sup>

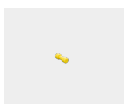


**10-40560-38AU**

Socket contact size 12, 6.0mm<sup>2</sup>

---

#### Filler plugs:



**10-101033-131**

Filler plug, size 12

---

#### Protection cap:



**PR40-AC**

Metallic protection cap to bayonet receptacle (GB)



**PR40-D**

Plastic protection cap to bayonet receptacles (GB, GR & GS)