



Receptacle front panel mount, for higher voltages, Series GB

Indoor and Outdoor use, up to 1200VAC/200A, contact size 0, 0*

Item number: GB210-40-A4PN-SAC

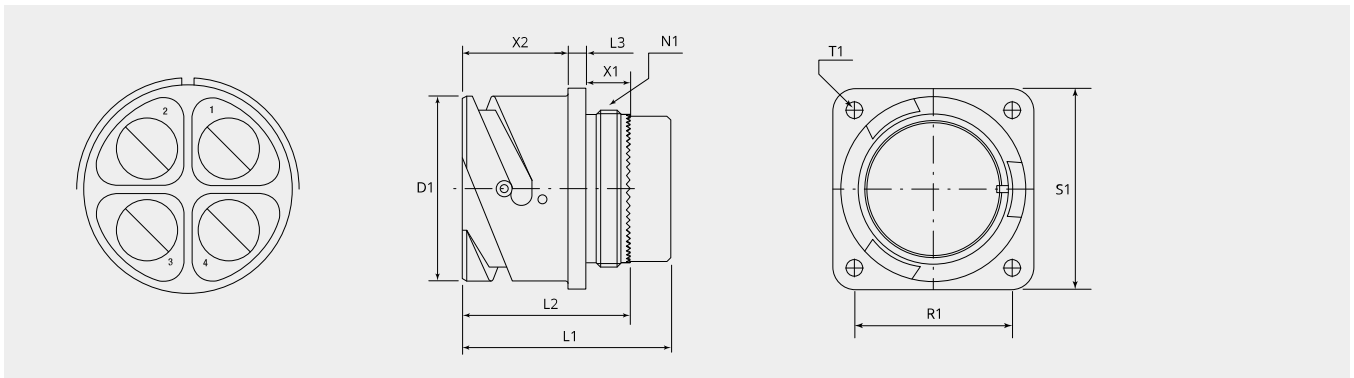
Net weight: 0.1661 kg

Mechanical properties

Size:	40
Contact type:	Pin
Number of contacts, size 0:	4
Shell material:	Aluminum alloy
Surface treatment:	Epoxy-polyurethane
Type of surface:	varnished
Thickness of surface treatment:	13-16 μ
Surface colour:	black
Corrosion resistance (h):	500
Operation temperature:	-55°C - +125°C
Temperature shock:	-55°C - +200°C
Conductivity (M Ω):	non conductive
Material sealing ring:	Silicone
Coupling-torque to lock (Nm):	max. 10.0
Coupling-torque to open (Nm):	min. 5.9

Thermal properties

Material contact insert:	Silicone
Operating temperature:	-55°C - +150°C
Fire protection class DIN EN 45545-2:	R23/HL2
Fire protection class UL94:	V0



Dimensional drawing

D1 (Ø):	66.0
L1 (mm):	60.0
L2 (mm):	38.0
L3 (mm):	4.0
N1:	2 5/16"-16 UN 2A
T1 (mm):	4.4
X1 (mm):	11.3
X2 (mm):	22.2
S1 (mm):	70.0
R1 (mm):	55.6

Electrical properties

Operating voltage DC (V):	1250
Operating voltage AC (V):	750
Test voltage AC (V):	2800
Insulation resistance (Ω m):	≥ 5000
Voltage class:	ABB
Contact numbers:	All
Operating voltage DC (V):	1750
Operating voltage AC (V):	1250
Test voltage AC (V):	3500
Insulation resistance (Ω m):	≥ 5000
Insulation creepage distance (mm):	≥ 6.3
Voltage class:	MIL-DTL-5015

Electrical properties contacts

Size 0 - nominal current (A):	200
Size 0 - maximal current (A):	300
Size 0 - test current (A):	240
Size 0* - nominal current (A):	200
Size 0* - maximal current (A):	300
Size 0* - test current (A):	240

Please contact your Gimota partner for other shell materials, surface coatings or contact insert materials.

Voltage classes tested acc. MIL-DTL-5015 Power transmission verification acc. VG95234 / 2 test 5.10.1 and VG95210 / 37 Corrosion resistance tested acc. MIL 1344A Test 101.1 Temperature shock tested acc. MIL 202F, 107G Method Electrical conductivity acc. MIL 1344A, Test 3007