



Plug with bayonet coupling nut

Series GB

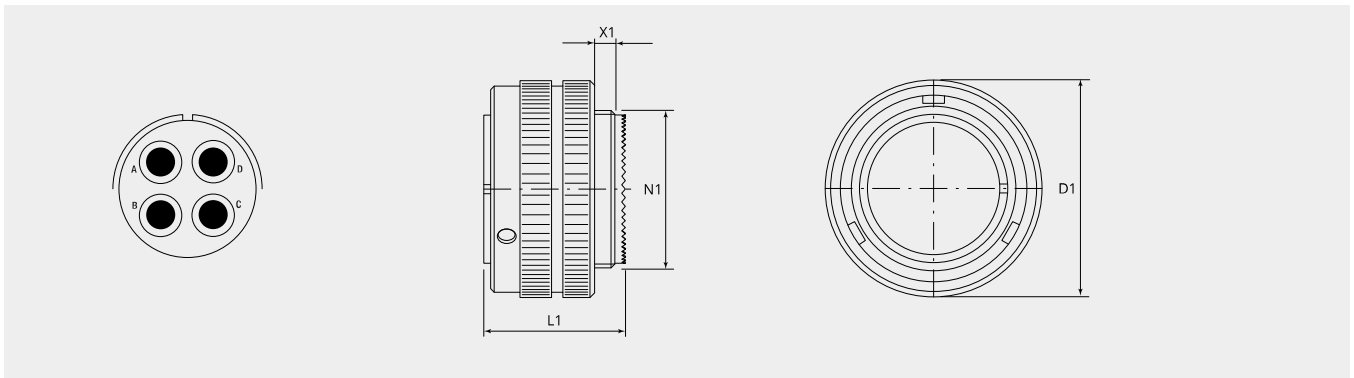
Item number: GB60-22-22SN-EAC

Mechanical properties

Size:	22
Contact type:	Socket
Coding options:	3
Number of contacts, size 8H:	4
Shell material:	Aluminum alloy
Surface treatment:	Epoxy-polyurethane
Type of surface:	varnished
Thickness of surface treatment:	13-16 μ
Surface colour:	black
Corrosion resistance (h):	500
Operation temperature:	-55°C - +125°C
Temperature shock:	-55°C - +125°C
Conductivity (M Ω):	non conductive
EMI:	No
Material sealing ring:	Silicone
Coupling-torque to lock (Nm):	max. 6.0
Coupling-torque to open (Nm):	min. 1.5

Thermal properties

Material contact insert:	Ethylene acrylate GXF / thermoplastic
Operating temperature:	-55°C - +150°C
Fire protection class DIN EN 45545-2:	R23/HL3



Dimensional drawing

D1 (Ø):	44.0
L1 (mm):	36
N1:	1 1/4"-18 UNEF 2A
X1 (mm):	9

Electrical properties

Operating voltage DC (V):	700
Operating voltage AC (V):	500
Test voltage AC (V):	2000
Insulation resistance (Ω m):	≥ 5000
Insulation creepage distance (mm):	≥ 3.2
Voltage class:	MIL-DTL-5015

Electrical properties contacts

Size 8H - nominal current (A):	56
Size 8H - maximal current (A):	90
Size 8H - test current (A):	72

Complementary products:

Counterpart:



GB210-22-22PN-EAC
Receptacle, front panel mount

Backshell:



BEN22-AC
90° elbow back shell



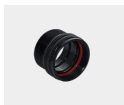
BEN22-M4B-AC
90° elbow back shell with internal metric thread



BSH22-AC
Back shell with groove for heatshrinkable shapes



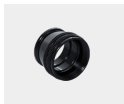
BSL22-AC
Back shell straight, long



BSN22-AC
Back shell straight, standard



BSN22-M5B-AC
Back shell straight with internal metric thread



BST22-AC
Termination back shell type R for grommets

Contacts:



10-40796-18AG
Socket contact size 8H, 1.5mm²



10-40796-22AG
Socket contact size 8H, 2.5mm²



10-40796-38AG
Socket contact size 8H, 6.0mm²



10-40796-50AG
Socket contact size 8H, 10mm²

Filler plugs:



10-101033-141
Filler plug, size 8H

Protection cap:



PP22-AC

Metallic protection cap to bayonet plug (GB,GR & GS)



PP22-D

Plastic protection cap to bayonet plugs (GB, GR & GS)