



Plug with bayonet coupling nut

Series GB

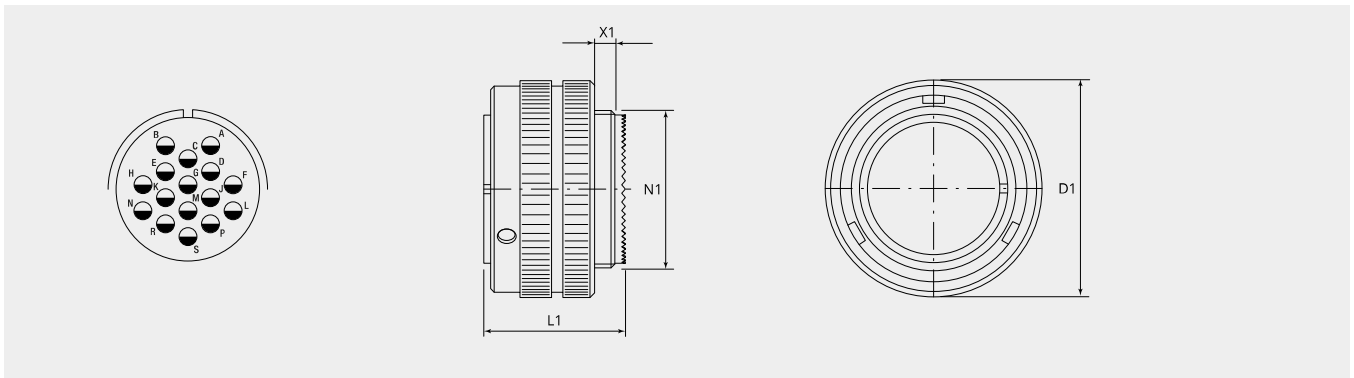
Item number: GB60-24-5SN-EAC

Mechanical properties

Size:	24
Contact type:	Socket
Coding options:	4
Number of contacts, size 16:	16
Shell material:	Aluminum alloy
Surface treatment:	Epoxy-polyurethane
Type of surface:	varnished
Thickness of surface treatment:	13-16 μ
Surface colour:	black
Corrosion resistance (h):	500
Operation temperature:	-55°C - +125°C
Temperature shock:	-55°C - +125°C
Conductivity (M Ω):	non conductive
EMI:	No
Material sealing ring:	Silicone
Coupling-torque to lock (Nm):	max. 6.5
Coupling-torque to open (Nm):	min. 2.0

Thermal properties

Material contact insert:	Ethylene acrylate GXF / thermoplastic
Operating temperature:	-55°C - +150°C
Fire protection class DIN EN 45545-2:	R23/HL3



Dimensional drawing

D1 (Ø):	48.0
L1 (mm):	36
N1:	1 3/8"-18 UNEF 2A
X1 (mm):	9

Electrical properties

Operating voltage DC (V):	700
Operating voltage AC (V):	500
Test voltage AC (V):	2000
Insulation resistance (Ω m):	≥ 5000
Insulation creepage distance (mm):	≥ 3.2
Voltage class:	MIL-DTL-5015

Electrical properties contacts

Size 16 - nominal current [continuous] (A):	13
Size 16 - maximal current [short-term] (A):	22
Size 16 - test current (A):	20