



# Plug with bayonet coupling nut

Series GB

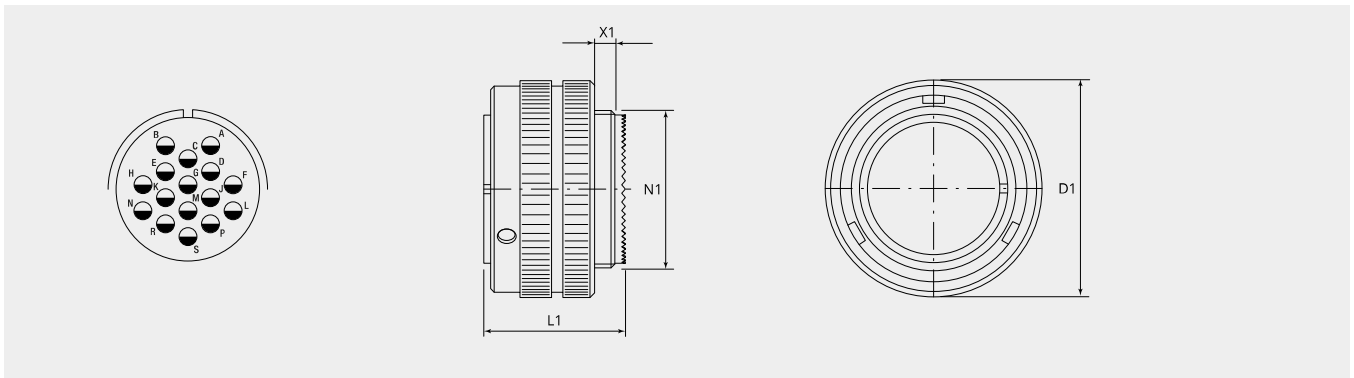
Item number: GB60-24-5SN-EAC

## Mechanical properties

Size:	24
Contact type:	Socket
Coding options:	4
Number of contacts, size 16:	16
Shell material:	Aluminum alloy
Surface treatment:	Epoxy-polyurethane
Type of surface:	varnished
Thickness of surface treatment:	13-16 $\mu$
Surface colour:	black
Corrosion resistance (h):	500
Operation temperature:	-55°C - +125°C
Temperature shock:	-55°C - +125°C
Conductivity (M $\Omega$ ):	non conductive
EMI:	No
Material sealing ring:	Silicone
Coupling-torque to lock (Nm):	max. 6.5
Coupling-torque to open (Nm):	min. 2.0

## Thermal properties

Material contact insert:	Ethylene acrylate GXF / thermoplastic
Operating temperature:	-55°C - +150°C
Fire protection class DIN EN 45545-2:	R23/HL3



## Dimensional drawing

<b>D1 (Ø):</b>	48.0
<b>L1 (mm):</b>	36
<b>N1:</b>	1 3/8"-18 UNEF 2A
<b>X1 (mm):</b>	9

## Electrical properties

<b>Operating voltage DC (V):</b>	700
<b>Operating voltage AC (V):</b>	500
<b>Test voltage AC (V):</b>	2000
<b>Insulation resistance (Ω m):</b>	≥ 5000
<b>Insulation creepage distance (mm):</b>	≥ 3.2
<b>Voltage class:</b>	MIL-DTL-5015

## Electrical properties contacts

<b>Size 16 - nominal current [continuous] (A):</b>	13
<b>Size 16 - maximal current [short-term] (A):</b>	22
<b>Size 16 - test current (A):</b>	20

## Complementary products:

### Counterpart:



**GB210-24-5PN-EAC**  
Receptacle, front panel mount

#### Backshell:



**BEN24-AC**  
90° elbow back shell



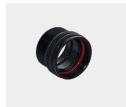
**BEN24-M5B-AC**  
90° elbow back shell with internal metric thread



**BSH24-AC**  
Back shell with groove for heatshrinkable shapes



**BSL24-AC**  
Backshell straight, long



**BSN24-AC**  
Back shell straight, standard



**BSN24-M5B-AC**  
Backshell straight with internal metric thread



**BSR24-18-AC**  
Reducer back shell



**BST24-AC**  
Termination back shell type R for grommets

---

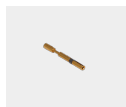
#### Cable termination:



**10-350349K-2432**  
Synthetic cable clamp

---

#### Contacts:



**10-40556-05AU**  
Socket contact size 16, 0.25 - 0.5mm<sup>2</sup>



**10-40556-075AU**  
Socket contact size 16, 0.75mm<sup>2</sup>



**10-40556-20-1AU**  
Socket contact size 16, 1.5mm<sup>2</sup>



**10-40556AU**  
Socket contact size 16, 1.0mm<sup>2</sup>

**Filler plugs:**



**10-101033-121**

Filler plug, size 16/16S

---

**Protection cap:**



**PP24-AC**

Metallic protection cap to bayonet plug (GB,GR & GS)



**PP24-D**

Plastic protection cap to bayonet plugs (GB, GR & GS)