



Plug with rubber coated coupling nut, short version

Series GB

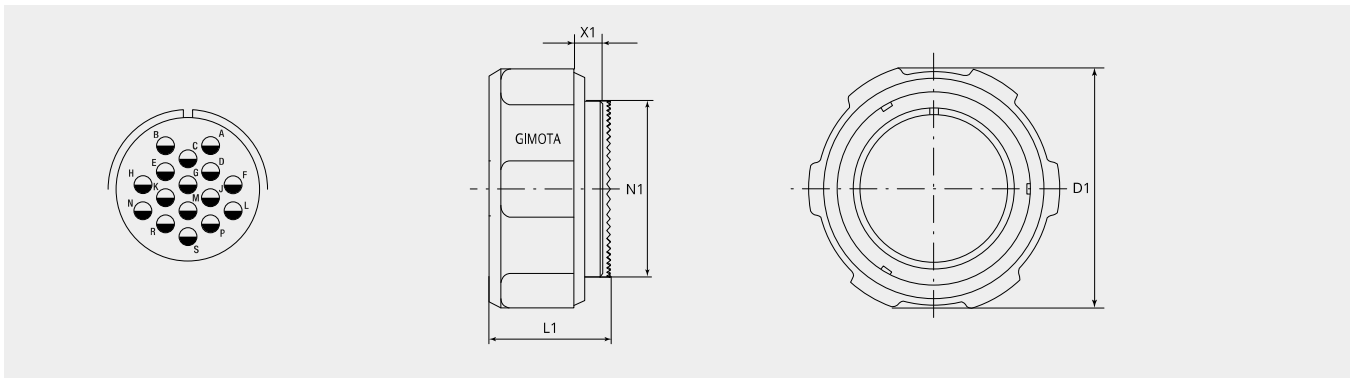
Item number: GB603-24-5SN-EAC

Mechanical properties

| | |
|---------------------------------|--------------------|
| Size: | 24 |
| Contact type: | Socket |
| Coding options: | 4 |
| Number of contacts, size 16: | 16 |
| Shell material: | Aluminum alloy |
| Surface treatment: | Epoxy-polyurethane |
| Type of surface: | varnished |
| Thickness of surface treatment: | 13-16 μ |
| Surface colour: | black |
| Corrosion resistance (h): | 500 |
| Operation temperature: | -55°C - +125°C |
| Temperature shock: | -55°C - +125°C |
| Conductivity (M Ω): | non conductive |
| EMI: | No |
| Material sealing ring: | Silicone |
| Coupling-torque to lock (Nm): | max. 6.5 |
| Coupling-torque to open (Nm): | min. 2.0 |

Thermal properties

| | |
|---------------------------------------|---------------------------------------|
| Material contact insert: | Ethylene acrylate GXF / thermoplastic |
| Operating temperature: | -55°C - +150°C |
| Fire protection class DIN EN 45545-2: | R23/HL3 |



Dimensional drawing

| | |
|-----------------|-------------------|
| D1 (Ø): | 58.0 |
| L1 (mm): | 36 |
| N1: | 1 3/8"-18 UNEF 2A |
| X1 (mm): | 9 |

Electrical properties

| | |
|---|--------------|
| Operating voltage DC (V): | 700 |
| Operating voltage AC (V): | 500 |
| Test voltage AC (V): | 2000 |
| Insulation resistance (Ω m): | ≥ 5000 |
| Insulation creepage distance (mm): | ≥ 3.2 |
| Voltage class: | MIL-DTL-5015 |

Electrical properties contacts

| | |
|--|----|
| Size 16 - nominal current [continuous] (A): | 13 |
| Size 16 - maximal current [short-term] (A): | 22 |
| Size 16 - test current (A): | 20 |

Complementary products:

Counterpart:



GB210-24-5PN-EAC
Receptacle, front panel mount

Backshell:



BEN24-AC
90° elbow back shell



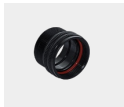
BEN24-M5B-AC
90° elbow back shell with internal metric thread



BSH24-AC
Back shell with groove for heatshrinkable shapes



BSL24-AC
Backshell straight, long



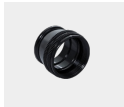
BSN24-AC
Back shell straight, standard



BSN24-M5B-AC
Backshell straight with internal metric thread



BSR24-18-AC
Reducer back shell



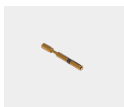
BST24-AC
Termination back shell type R for grommets

Cable termination:



10-350349K-2432
Synthetic cable clamp

Contacts:



10-40556-05AU
Socket contact size 16, 0.25 - 0.5mm²



10-40556-075AU
Socket contact size 16, 0.75mm²



10-40556-20-1AU
Socket contact size 16, 1.5mm²



10-40556AU
Socket contact size 16, 1.0mm²

Filler plugs:



10-101033-121

Filler plug, size 16/16S

Protection cap:



PP24-AC

Metallic protection cap to bayonet plug (GB,GR & GS)



PP24-D

Plastic protection cap to bayonet plugs (GB, GR & GS)