



# Plug with rubber coated coupling nut, short version

Series GB

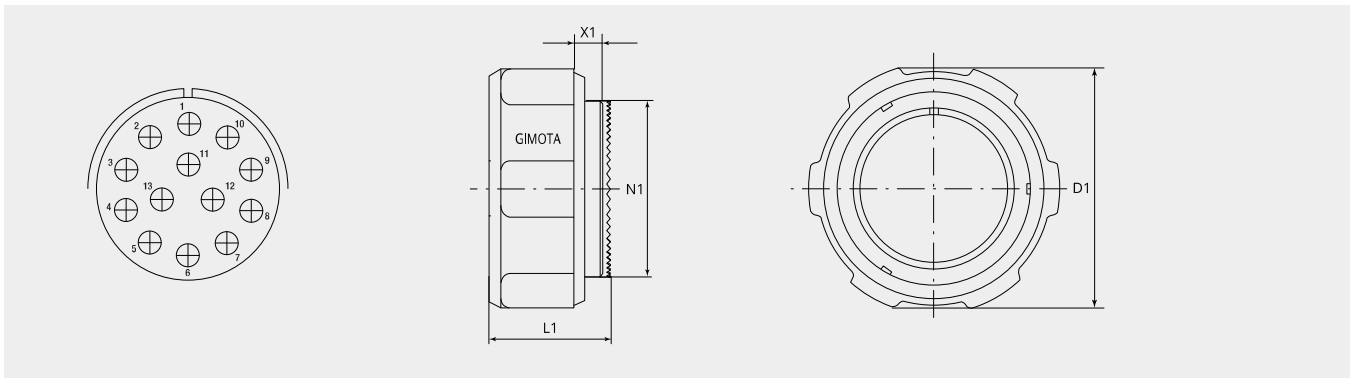
Item number: GB603-32-013SN-EAC

## Mechanical properties

Size:	32
Contact type:	Socket
Coding options:	4
Number of contacts, size 12:	13
Shell material:	Aluminum alloy
Surface treatment:	Epoxy-polyurethane
Type of surface:	varnished
Thickness of surface treatment:	13-16 $\mu$
Surface colour:	black
Corrosion resistance (h):	500
Operation temperature:	-55°C - +125°C
Temperature shock:	-55°C - +125°C
Conductivity (M $\Omega$ ):	non conductive
EMI:	No
Material sealing ring:	Silicone
Coupling-torque to lock (Nm):	max. 8.0
Coupling-torque to open (Nm):	min. 3.6

## Thermal properties

Material contact insert:	Ethylene acrylate GXF / thermoplastic
Operating temperature:	-55°C - +150°C
Fire protection class DIN EN 45545-2:	R23/HL3



## Dimensional drawing

<b>D1 (Ø):</b>	76.0
<b>L1 (mm):</b>	38
<b>N1:</b>	1 7/8"-16 UN 2A
<b>X1 (mm):</b>	10.5

## Electrical properties

<b>Operating voltage AC (V):</b>	250/450*
<b>Insulation resistance (Ω m):</b>	≥ 5000
<b>Voltage class:</b>	SEV-EN60998-1
<b>Contact numbers:</b>	All
<b>Operating voltage DC (V):</b>	1250
<b>Operating voltage AC (V):</b>	900
<b>Test voltage AC (V):</b>	2800
<b>Insulation resistance (Ω m):</b>	≥ 5000
<b>Insulation creepage distance (mm):</b>	≥ 4.8
<b>Voltage class:</b>	MIL-DTL-5015

## Electrical properties contacts

<b>Size 12 - nominal current (A):</b>	23
<b>Size 12 - maximal current (A):</b>	41
<b>Size 12 - test current (A):</b>	35