



# Jam nut receptacle

## Series GB

Item number: GB72-14S-5PN-EAA

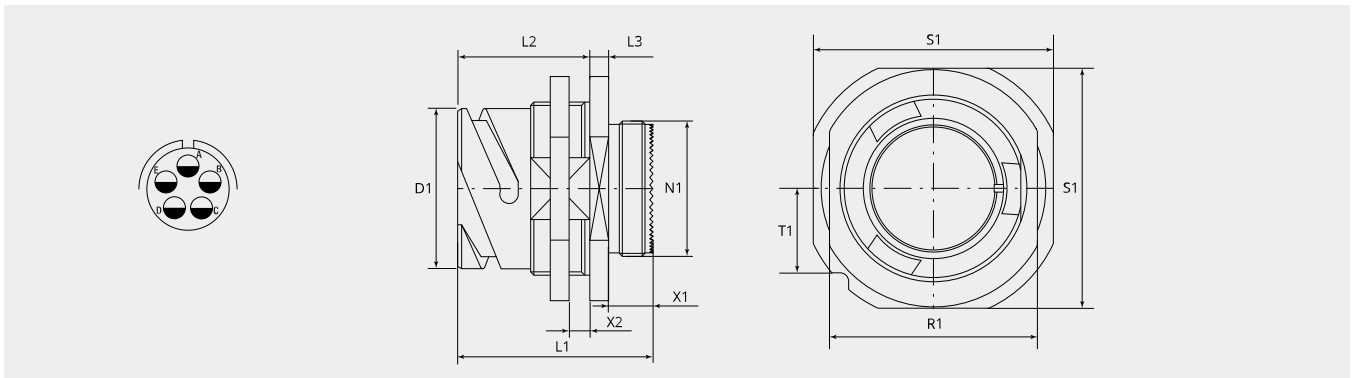
Packing unit: 1

### Mechanical properties

|                                 |                |
|---------------------------------|----------------|
| Size:                           | 14S            |
| Contact type:                   | Pin            |
| Coding options:                 | 1              |
| Shell material:                 | Aluminum alloy |
| Surface treatment:              | Zinc           |
| Type of surface:                | passivated     |
| Thickness of surface treatment: | 12-15 $\mu$    |
| Surface colour:                 | black          |
| Corrosion resistance (h):       | 200            |
| Operation temperature:          | -55°C - +90°C  |
| Temperature shock:              | -55°C - +125°C |
| Conductivity (M $\Omega$ ):     | $\leq$ 0.5     |
| EMI:                            | Yes            |
| Coupling-torque to lock (Nm):   | max. 1.8       |
| Coupling-torque to open (Nm):   | min. 0.55      |

### Thermal properties

|                                       |                       |
|---------------------------------------|-----------------------|
| Material contact insert:              | Ethylene acrylate GXF |
| Operating temperature:                | -55°C - +150°C        |
| Fire protection class DIN EN 45545-2: | R23/HL3               |



## Dimensional drawing

|                 |                 |
|-----------------|-----------------|
| <b>D1 (Ø):</b>  | 24.6            |
| <b>L1 (mm):</b> | 39.8            |
| <b>L2 (mm):</b> | 26.8            |
| <b>L3 (mm):</b> | 4.8             |
| <b>N1:</b>      | 3/4"-20 UNEF 2A |
| <b>T1 (mm):</b> | 14.6            |
| <b>X1 (mm):</b> | 9.0             |
| <b>X2 (mm):</b> | 2.4 - 7.5       |
| <b>S1 (mm):</b> | 41.3            |
| <b>R1 (mm):</b> | 33.0            |

## Electrical properties

|   |              |
|---|--------------|
| <b>Operating voltage DC (V):</b>          | 250          |
| <b>Operating voltage AC (V):</b>          | 200          |
| <b>Test voltage AC (V):</b>               | 1000         |
| <b>Insulation resistance (Ω m):</b>       | ≥ 5000       |
| <b>Insulation creepage distance (mm):</b> | ≥ 1.6        |
| <b>Voltage class:</b>                     | MIL-DTL-5015 |

## Electrical properties contacts

|  |    |
|--|----|
| <b>Size 16S - nominal current (A):</b> | 13 |
| <b>Size 16S - maximal current (A):</b> | 22 |
| <b>Size 16S - test current (A):</b>    | 20 |

**Please contact your Gimota partner for other shell materials, surface coatings or contact insert materials.**

Voltage classes tested acc. MIL-DTL-5015

Power transmission verification acc. VG95234 / 2 test 5.10.1 and VG95210 / 37

Corrosion resistance tested acc. MIL 1344A Test 101.1

Temperature shock tested acc. MIL 202F, 107G Method

Electrical conductivity acc. MIL 1344A, Test 3007

## Complementary products:

### Counterpart:



#### **GB604-14S-5SN-EAA**

Plug with rubber coated coupling nut, for EMI applications

### Backshell:



#### **BEN14-AA**

90° elbow backshell



#### **BEN14-M2B-AA**

90° elbow backshell with internal metric thread



#### **BSL14-AA**

Backshell straight, long



#### **BSN14-AA**

Backshell straight, standard



#### **BSN14-M2B-AA**

Backshell straight with internal metric thread



#### **EII14S-04-AA**

EMI adapter with IRIS- spring and strain relief



#### **EII14S-05-AA**

EMI adapter with IRIS- spring and strain relief



#### **EII14S-09-AA**

EMI adapter with IRIS- spring and strain relief



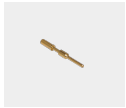
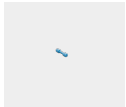
#### **ET-14-02-AA**

EMI adapter with cone ring, for heatshrinkable shape



#### **ET-14-03-AA**

EMI adapter with cone ring, for heatshrinkable shape

**Contacts:****10-40553-05AU**Pin contact size 16S, 0.25 - 0.5mm<sup>2</sup>**10-40553AU**Pin contact size 16S, 0.75 - 1.5mm<sup>2</sup>**Filler plugs:****10-101033-121**

Filler plug, size 16/16S

**Protection cap:****PR14S-AC**

Metallic protection cap to bayonet receptacle (GB,GR &amp; GS)

**PR14S-D**

Plastic protection cap to bayonet receptacles (GB, GR &amp; GS)