



Cable receptacle

Series GR

Item number: GR11-28-22SN-EAA

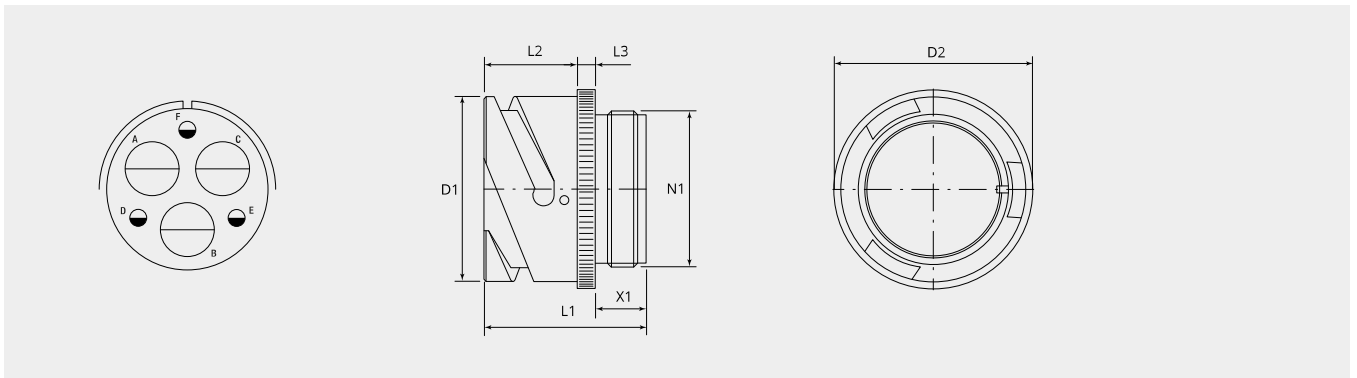
Packing unit: 1

Mechanical properties

Size:	28
Contact type:	Socket
Coding options:	4
Number of contacts, size 16:	3
Number of contacts, size 4:	3
Shell material:	Aluminum alloy
Surface treatment:	Zinc
Type of surface:	passivated
Thickness of surface treatment:	12-15 μ
Surface colour:	black
Corrosion resistance (h):	200
Operation temperature:	-55°C - +90°C
Temperature shock:	-55°C - +125°C
Conductivity (M Ω):	\leq 0.5
EMI:	Yes
Coupling-torque to lock (Nm):	max. 7.0
Coupling-torque to open (Nm):	min. 2.7

Thermal properties

Material contact insert:	Ethylene acrylate GXF
Operating temperature:	-55°C - +150°C
Fire protection class DIN EN 45545-2:	R23/HL3



Dimensional drawing

D1 (Ø):	46.7
D2 (Ø):	50.0
L1 (mm):	36.0
L2 (mm):	20.6
L3 (mm):	4.0
N1:	1 5/8"-18 UNEF 2A
X1 (mm):	9.0

Electrical properties

Operating voltage DC (V):	1250
Operating voltage AC (V):	900
Test voltage AC (V):	2800
Insulation resistance (Ω m):	≥ 5000
Insulation creepage distance (mm):	≥ 4.8
Voltage class:	MIL-DTL-5015

Electrical properties contacts

Size 4 - nominal current (A):	80
Size 4 - maximal current (A):	135
Size 4 - test current (A):	110
Size 16 - nominal current [continuous] (A):	13
Size 16 - maximal current [short-term] (A):	22
Size 16 - test current (A):	20

Please contact your Gimota partner for other shell materials, surface coatings or contact insert materials.

Voltage classes tested acc. MIL-DTL-5015

Power transmission verification acc. VG95234 / 2 test 5.10.1 and VG95210 / 37

Corrosion resistance tested acc. MIL 1344A Test 101.1

Temperature shock tested acc. MIL 202F, 107G Method

Electrical conductivity acc. MIL 1344A, Test 3007

Complementary products:

Counterpart:



GR60-28-22PN-EAA

Plug with bayonet coupling nut



GR601-28-22PN-EAA

Plug with bayonet coupling nut, for EMI applications

Backshell:



BEN28-AA

90° elbow backshell



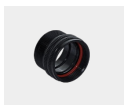
BEN28-M5B-AA

90° elbow backshell with internal metric thread



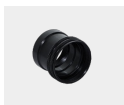
BSL28-AA

Backshell straight, long



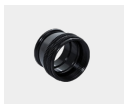
BSN28-AA

Backshell straight, standard



BSN28-M5B-AA

Backshell straight with internal metric thread



BST28-AC

Termination back shell type R for grommets



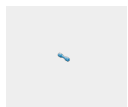
ET-28-08-AA

EMI adapter with cone ring, for heatshrinkable shape

Contacts:

**10-40556-05AU**Socket contact size 16, 0.25 - 0.5mm²**10-40556-075AU**Socket contact size 16, 0.75mm²**10-40556-20-1AU**Socket contact size 16, 1.5mm²**10-40556AU**Socket contact size 16, 1.0mm²**10-903-4-10G10**Socket contact size 4, 10mm²**10-903-4-16G10**Socket contact size 4, 16mm²**10-903-4-16G62**Socket contact size 4, 16mm²**10-903-4-6G10**Socket contact size 4, 6.0mm²

Filler plugs:

**10-101033-121**

Filler plug, size 16/16S

**10-101033-4**

Filler plug, size 4

Protection cap:

**PR28-AC**

Metallic protection cap to bayonet receptacle (GB,GR & GS)

**PR28-D**

Plastic protection cap to bayonet receptacles (GB, GR &GS)