



# Receptacle with flange

## Series GR

Item number: GR321-14S-6PN-EAA

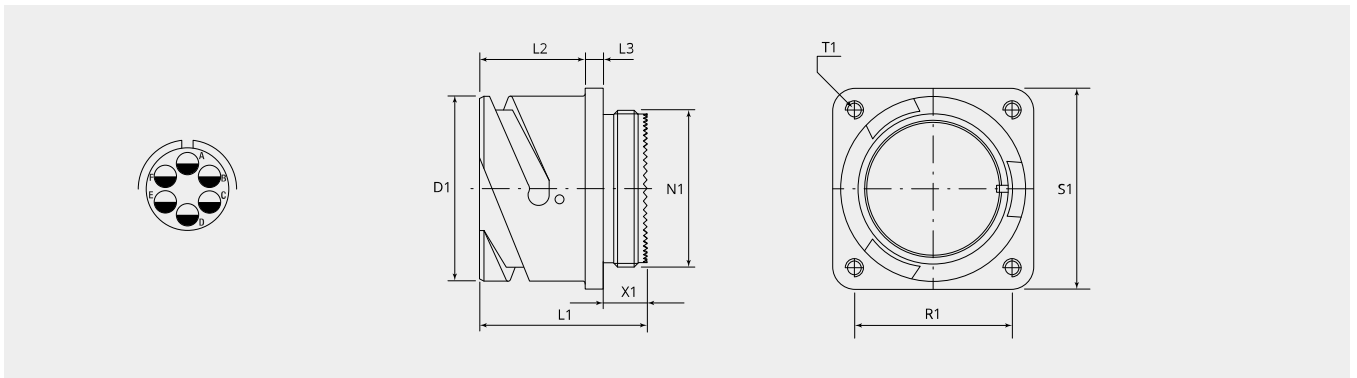
Packing unit: 1

### Mechanical properties

Size:	14S
Contact type:	Pin
Coding options:	1
Shell material:	Aluminum alloy
Surface treatment:	Zinc
Type of surface:	passivated
Thickness of surface treatment:	12-15 $\mu$
Surface colour:	black
Corrosion resistance (h):	200
Operation temperature:	-55°C - +90°C
Temperature shock:	-55°C - +125°C
Conductivity (M $\Omega$ ):	$\leq$ 0.5
EMI:	Yes
Coupling-torque to lock (Nm):	max. 1.8
Coupling-torque to open (Nm):	min. 0.55

### Thermal properties

Material contact insert:	Ethylene acrylate GXF
Operating temperature:	-55°C - +150°C
Fire protection class DIN EN 45545-2:	R23/HL3



## Dimensional drawing

<b>D1 (Ø):</b>	24.6
<b>L1 (mm):</b>	30.0
<b>L2 (mm):</b>	18.2
<b>L3 (mm):</b>	3.2
<b>N1:</b>	3/4"-20 UNEF 2A
<b>T1 (mm):</b>	3.2 / M4
<b>X1 (mm):</b>	9.0
<b>S1 (mm):</b>	30.2
<b>R1 (mm):</b>	23.0

## Electrical properties

<b>Operating voltage DC (V):</b>	250
<b>Operating voltage AC (V):</b>	200
<b>Test voltage AC (V):</b>	1000
<b>Insulation resistance (Ω m):</b>	≥ 5000
<b>Insulation creepage distance (mm):</b>	≥ 1.6
<b>Voltage class:</b>	MIL-DTL-5015

## Electrical properties contacts

<b>Size 16S - nominal current (A):</b>	13
<b>Size 16S - maximal current (A):</b>	22
<b>Size 16S - test current (A):</b>	20

**Please contact your Gimota partner for other shell materials, surface coatings or contact insert materials.**

Voltage classes tested acc. MIL-DTL-5015

Power transmission verification acc. VG95234 / 2 test 5.10.1 and VG95210 / 37

Corrosion resistance tested acc. MIL 1344A Test 101.1

Temperature shock tested acc. MIL 202F, 107G Method

Electrical conductivity acc. MIL 1344A, Test 3007

## Complementary products:

### Counterpart:



#### **GR60-14S-6SN-EAA**

Plug with bayonet coupling nut



#### **GR601-14S-6SN-EAA**

Plug with bayonet coupling nut, for EMI applications

### Backshell:



#### **BEN14-AA**

90° elbow backshell



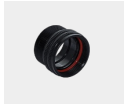
#### **BEN14-M2B-AA**

90° elbow backshell with internal metric thread



#### **BSL14-AA**

Backshell straight, long



#### **BSN14-AA**

Backshell straight, standard



#### **BSN14-M2B-AA**

Backshell straight with internal metric thread



#### **BST14-AC**

Termination back shell type R for grommets



#### **ET-14-02-AA**

EMI adapter with cone ring, for heatshrinkable shape



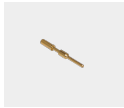
#### **ET-14-03-AA**

EMI adapter with cone ring, for heatshrinkable shape

#### Contacts:

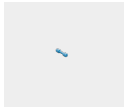
**10-40553-05AU**

Pin contact size 16S, 0.25 - 0.5mm<sup>2</sup>

**10-40553AU**

Pin contact size 16S, 0.75 - 1.5mm<sup>2</sup>

#### Filler plugs:

**10-101033-121**

Filler plug, size 16/16S

#### Protection cap:

**PR14S-AC**

Metallic protection cap to bayonet receptacle (GB,GR & GS)

**PR14S-D**

Plastic protection cap to bayonet receptacles (GB, GR & GS)

#### Accessory:

**10-40450-14**

Sealing gasket for receptacle, front panel mount

**10-40450-14S**

Sealing gasket for receptacle, front panel mount, conductive

**10-40451-14**

Sealing gasket for receptacle, rear panel mount

**10-40451-14S**

Sealing gasket for receptacle, rear panel mount, conductive