



Receptacle with flange

Series GR

Item number: GR321-20-27PN-EAA

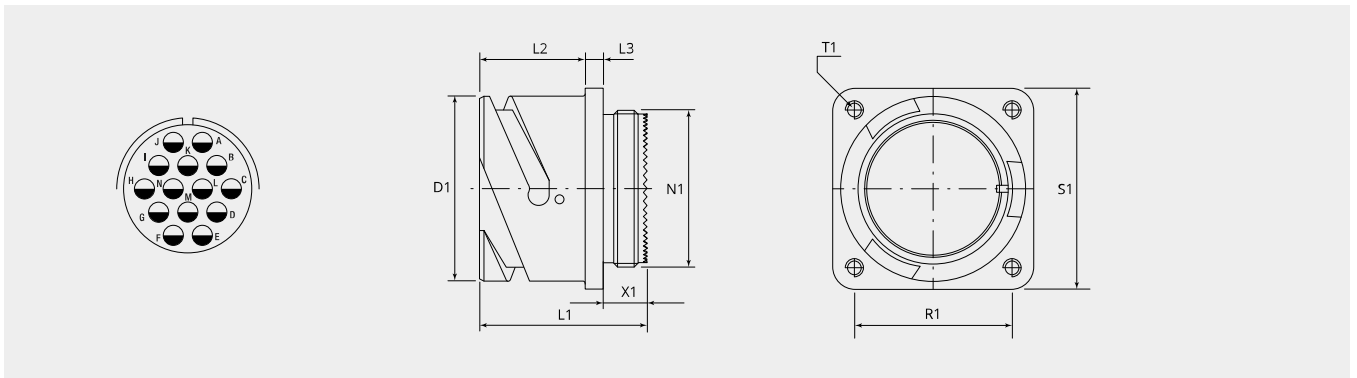
Packing unit: 1

Mechanical properties

Size:	20
Contact type:	Pin
Coding options:	4
Number of contacts, size 16:	14
Shell material:	Aluminum alloy
Surface treatment:	Zinc
Type of surface:	passivated
Thickness of surface treatment:	12-15 μ
Surface colour:	black
Corrosion resistance (h):	200
Operation temperature:	-55°C - +90°C
Temperature shock:	-55°C - +125°C
Conductivity (M Ω):	\leq 0.5
EMI:	Yes
Coupling-torque to lock (Nm):	max. 5.0
Coupling-torque to open (Nm):	min. 1.5

Thermal properties

Material contact insert:	Ethylene acrylate GXF
Operating temperature:	-55°C - +150°C
Fire protection class DIN EN 45545-2:	R23/HL3



Dimensional drawing

D1 (Ø):	34.2
L1 (mm):	38.8
L2 (mm):	23.1
L3 (mm):	4.0
N1:	1 1/8"-18 UNEF 2A
T1 (mm):	3.2 / M4
X1 (mm):	9.0
S1 (mm):	38.1
R1 (mm):	29.4

Electrical properties

Operating voltage DC (V):	700
Operating voltage AC (V):	500
Test voltage AC (V):	2000
Insulation resistance (Ω m):	≥ 5000
Insulation creepage distance (mm):	≥ 3.2
Voltage class:	MIL-DTL-5015

Electrical properties contacts

Size 16 - nominal current [continuous] (A):	13
Size 16 - maximal current [short-term] (A):	22
Size 16 - test current (A):	20

Please contact your Gimota partner for other shell materials, surface coatings or contact insert materials.

Voltage classes tested acc. MIL-DTL-5015

Power transmission verification acc. VG95234 / 2 test 5.10.1 and VG95210 / 37

Corrosion resistance tested acc. MIL 1344A Test 101.1

Temperature shock tested acc. MIL 202F, 107G Method

Electrical conductivity acc. MIL 1344A, Test 3007

Complementary products:

Counterpart:



GR60-20-27SN-EAA

Plug with bayonet coupling nut



GR601-20-27SN-EAA

Plug with bayonet coupling nut, for EMI applications

Backshell:



BEN20-AA

90° elbow backshell



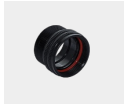
BEN20-M4B-AA

90° elbow backshell with internal metric thread



BSL20-AA

Backshell straight, long



BSN20-AA

Backshell straight, standard



BSN20-M4B-AA

Backshell straight with internal metric thread



BST20-AC

Termination back shell type R for grommets



ET-20-05-AA

EMI adapter with cone ring, for heatshrinkable shape

Contacts:

**10-40557-05AU**

Pin contact size 16, 0.25 -0.5mm²

**10-40557-075AU**

Pin contact size 16, 0.75mm²

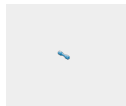
**10-40557-20-1AU**

Pin contact size 16, 1.5mm²

**10-40557AU**

Pin contact size 16, 1.0mm²

Filler plugs:

**10-101033-121**

Filler plug, size 16/16S

Protection cap:

**PR20-AC**

Metallic protection cap to bayonet receptacle (GB,GR & GS)

**PR20-D**

Plastic protection cap to bayonet receptacles (GB, GR &GS)

Accessory:

**10-40450-20**

Sealing gasket for receptacle, front panel mount

**10-40450-20S**

Sealing gasket for receptacle, front panel mount, conductive

**10-40451-20**

Sealing gasket for receptacle, rear panel mount

**10-40451-20S**

Sealing gasket for receptacle, rear panel mount, conductive