



# Receptacle with flange

## Series GR

Item number: GR321-24-A28PN-EAA

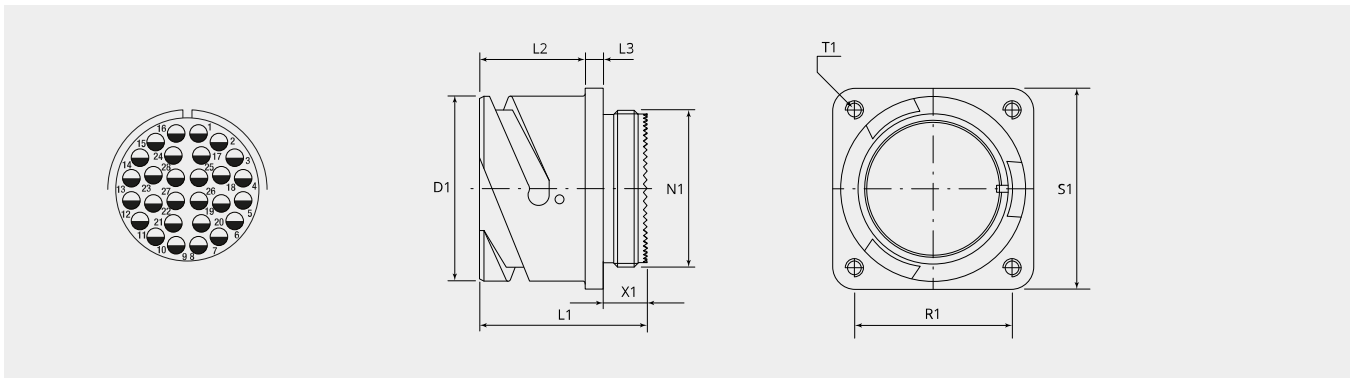
Packing unit: 1

### Mechanical properties

|                                 |                |
|---------------------------------|----------------|
| Size:                           | 28             |
| Contact type:                   | Pin            |
| Coding options:                 | 3              |
| Number of contacts, size 16:    | 28             |
| Shell material:                 | Aluminum alloy |
| Surface treatment:              | Zinc           |
| Type of surface:                | passivated     |
| Thickness of surface treatment: | 12-15 $\mu$    |
| Surface colour:                 | black          |
| Corrosion resistance (h):       | 200            |
| Operation temperature:          | -55°C - +90°C  |
| Temperature shock:              | -55°C - +125°C |
| Conductivity (M $\Omega$ ):     | $\leq$ 0.5     |
| EMI:                            | Yes            |
| Coupling-torque to lock (Nm):   | max. 7.0       |
| Coupling-torque to open (Nm):   | min. 2.7       |

### Thermal properties

|                                       |                       |
|---------------------------------------|-----------------------|
| Material contact insert:              | Ethylene acrylate GXF |
| Operating temperature:                | -55°C - +150°C        |
| Fire protection class DIN EN 45545-2: | R23/HL3               |



## Dimensional drawing

|                 |                   |
|-----------------|-------------------|
| <b>D1 (Ø):</b>  | 46.7              |
| <b>L1 (mm):</b> | 39.1              |
| <b>L2 (mm):</b> | 24.1              |
| <b>L3 (mm):</b> | 4.0               |
| <b>N1:</b>      | 1 5/8"-18 UNEF 2A |
| <b>T1 (mm):</b> | 3.2 / M4          |
| <b>X1 (mm):</b> | 9.0               |
| <b>S1 (mm):</b> | 50.8              |
| <b>R1 (mm):</b> | 39.7              |

## Electrical properties

|   |              |
|---|--------------|
| <b>Operating voltage DC (V):</b>          | 250          |
| <b>Operating voltage AC (V):</b>          | 200          |
| <b>Test voltage AC (V):</b>               | 1000         |
| <b>Insulation resistance (Ω m):</b>       | ≥ 5000       |
| <b>Insulation creepage distance (mm):</b> | ≥ 1.6        |
| <b>Voltage class:</b>                     | MIL-DTL-5015 |

## Electrical properties contacts

|  |    |
|--|----|
| <b>Size 16 - nominal current [continuous] (A):</b> | 13 |
| <b>Size 16 - maximal current [short-term] (A):</b> | 22 |
| <b>Size 16 - test current (A):</b>                 | 20 |

**Please contact your Gimota partner for other shell materials, surface coatings or contact insert materials.**

Voltage classes tested acc. MIL-DTL-5015

Power transmission verification acc. VG95234 / 2 test 5.10.1 and VG95210 / 37

Corrosion resistance tested acc. MIL 1344A Test 101.1

Temperature shock tested acc. MIL 202F, 107G Method

Electrical conductivity acc. MIL 1344A, Test 3007

## Complementary products:

### Counterpart:



#### **GR60-24-A28SN-EAA**

Plug with bayonet coupling nut



#### **GR601-24-A28SN-EAA**

Plug with bayonet coupling nut, for EMI applications

### Backshell:



#### **BEN28-AA**

90° elbow backshell



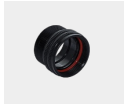
#### **BEN28-M5B-AA**

90° elbow backshell with internal metric thread



#### **BSL28-AA**

Backshell straight, long



#### **BSN28-AA**

Backshell straight, standard



#### **BSN28-M5B-AA**

Backshell straight with internal metric thread



#### **BST28-AC**

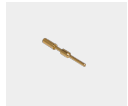
Termination back shell type R for grommets



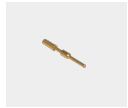
#### **ET-28-08-AA**

EMI adapter with cone ring, for heatshrinkable shape

#### Contacts:

**10-40557-05AU**

Pin contact size 16, 0.25 -0.5mm<sup>2</sup>

**10-40557-075AU**

Pin contact size 16, 0.75mm<sup>2</sup>

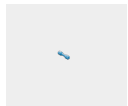
**10-40557-20-1AU**

Pin contact size 16, 1.5mm<sup>2</sup>

**10-40557AU**

Pin contact size 16, 1.0mm<sup>2</sup>

#### Filler plugs:

**10-101033-121**

Filler plug, size 16/16S

#### Protection cap:

**PR28-AC**

Metallic protection cap to bayonet receptacle (GB,GR & GS)

**PR28-D**

Plastic protection cap to bayonet receptacles (GB, GR &GS)

#### Accessory:

**10-40450-24**

Sealing gasket for receptacle, front panel mount

**10-40450-24S**

Sealing gasket for receptacle, front panel mount, conductive

**10-40451-24**

Sealing gasket for receptacle, rear panel mount

**10-40451-24S**

Sealing gasket for receptacle, rear panel mount, conductive