



# Receptacle with flange

## Series GR

Item number: GR321-28-22SN-EAA

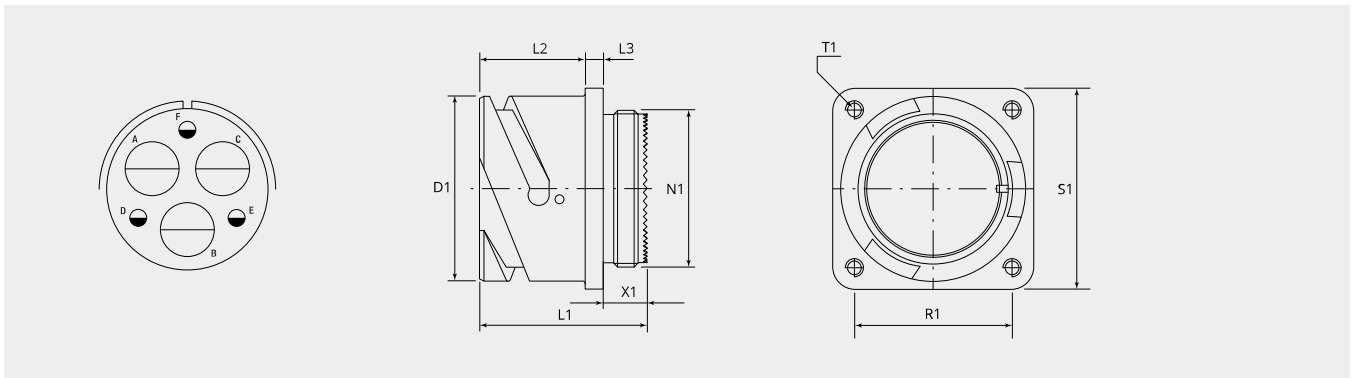
Packing unit: 1

### Mechanical properties

Size:	28
Contact type:	Socket
Coding options:	4
Number of contacts, size 16:	3
Number of contacts, size 4:	3
Shell material:	Aluminum alloy
Surface treatment:	Zinc
Type of surface:	passivated
Thickness of surface treatment:	12-15 $\mu$
Surface colour:	black
Corrosion resistance (h):	200
Operation temperature:	-55°C - +90°C
Temperature shock:	-55°C - +125°C
Conductivity (M $\Omega$ ):	$\leq$ 0.5
EMI:	Yes
Coupling-torque to lock (Nm):	max. 7.0
Coupling-torque to open (Nm):	min. 2.7

### Thermal properties

Material contact insert:	Ethylene acrylate GXF
Operating temperature:	-55°C - +150°C
Fire protection class DIN EN 45545-2:	R23/HL3



## Dimensional drawing

<b>D1 (∅):</b>	46.7
<b>L1 (mm):</b>	39.1
<b>L2 (mm):</b>	24.1
<b>L3 (mm):</b>	4.0
<b>N1:</b>	1 5/8"-18 UNEF 2A
<b>T1 (mm):</b>	4.3 / M5
<b>X1 (mm):</b>	9.0
<b>S1 (mm):</b>	50.8
<b>R1 (mm):</b>	39.7

## Electrical properties

<b>Operating voltage DC (V):</b>	1250
<b>Operating voltage AC (V):</b>	900
<b>Test voltage AC (V):</b>	2800
<b>Insulation resistance (Ω m):</b>	≥ 5000
<b>Insulation creepage distance (mm):</b>	≥ 4.8
<b>Voltage class:</b>	MIL-DTL-5015

## Electrical properties contacts

<b>Size 4 - nominal current (A):</b>	80
<b>Size 4 - maximal current (A):</b>	135
<b>Size 4 - test current (A):</b>	110
<b>Size 16 - nominal current [continuous] (A):</b>	13
<b>Size 16 - maximal current [short-term] (A):</b>	22
<b>Size 16 - test current (A):</b>	20

**Please contact your Gimota partner for other shell materials, surface coatings or contact insert materials.**

Voltage classes tested acc. MIL-DTL-5015

Power transmission verification acc. VG95234 / 2 test 5.10.1 and VG95210 / 37

Corrosion resistance tested acc. MIL 1344A Test 101.1

Temperature shock tested acc. MIL 202F, 107G Method

Electrical conductivity acc. MIL 1344A, Test 3007

## Complementary products:

### Counterpart:



#### **GR60-28-22PN-EAA**

Plug with bayonet coupling nut



#### **GR601-28-22PN-EAA**

Plug with bayonet coupling nut, for EMI applications

### Backshell:



#### **BEN28-AA**

90° elbow backshell



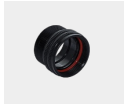
#### **BEN28-M5B-AA**

90° elbow backshell with internal metric thread



#### **BSL28-AA**

Backshell straight, long



#### **BSN28-AA**

Backshell straight, standard



#### **BSN28-M5B-AA**

Backshell straight with internal metric thread



#### **BST28-AC**

Termination back shell type R for grommets



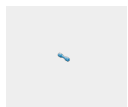
#### **ET-28-08-AA**

EMI adapter with cone ring, for heatshrinkable shape

#### Contacts:

**10-40556-05AU**Socket contact size 16, 0.25 - 0.5mm<sup>2</sup>**10-40556-075AU**Socket contact size 16, 0.75mm<sup>2</sup>**10-40556-20-1AU**Socket contact size 16, 1.5mm<sup>2</sup>**10-40556AU**Socket contact size 16, 1.0mm<sup>2</sup>**10-903-4-10G10**Socket contact size 4, 10mm<sup>2</sup>**10-903-4-16G10**Socket contact size 4, 16mm<sup>2</sup>**10-903-4-16G62**Socket contact size 4, 16mm<sup>2</sup>**10-903-4-6G10**Socket contact size 4, 6.0mm<sup>2</sup>

#### Filler plugs:

**10-101033-121**

Filler plug, size 16/16S

**10-101033-4**

Filler plug, size 4

#### Protection cap:

**PR28-AC**

Metallic protection cap to bayonet receptacle (GB,GR &amp; GS)

**PR28-D**

Plastic protection cap to bayonet receptacles (GB, GR &amp;GS)

**Accessory:**



**10-40450-28**

Sealing gasket for receptacle, front panel mount



**10-40450-28S**

Sealing gasket for receptacle, front panel mount, conductive



**10-40451-28**

Sealing gasket for receptacle, rear panel mount



**10-40451-28S**

Sealing gasket for receptacle, rear panel mount, conductive