



Receptacle with flange

Series GR

Item number: GR321-36-3SN-EAA

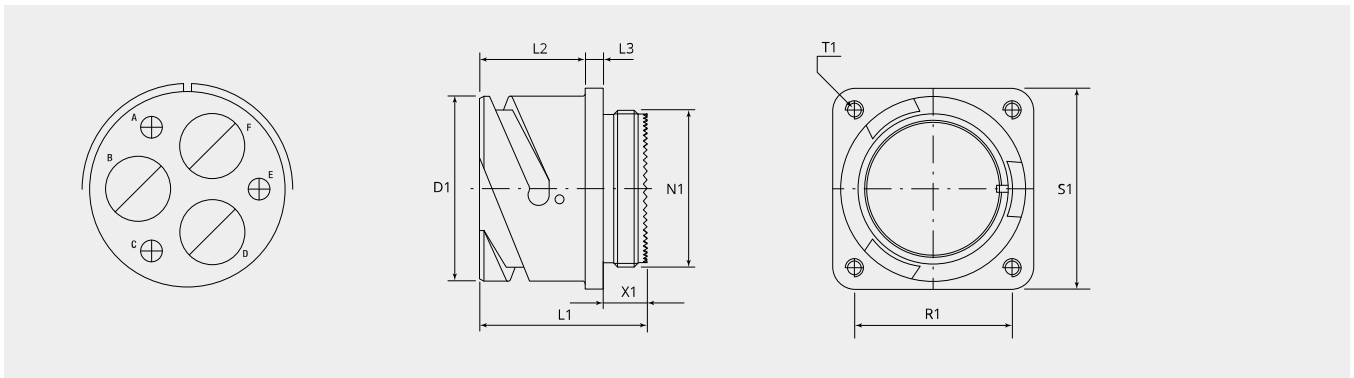
Packing unit: 1

Mechanical properties

Size:	36
Contact type:	Socket
Coding options:	4
Number of contacts, size 0:	3
Number of contacts, size 12:	3
Shell material:	Aluminum alloy
Surface treatment:	Zinc
Type of surface:	passivated
Thickness of surface treatment:	12-15 μ
Surface colour:	black
Corrosion resistance (h):	200
Operation temperature:	-55°C - +90°C
Temperature shock:	-55°C - +125°C
Conductivity (M Ω):	\leq 0.5
EMI:	Yes
Coupling-torque to lock (Nm):	max. 9.0
Coupling-torque to open (Nm):	min. 4.5

Thermal properties

Material contact insert:	Ethylene acrylate GXF
Operating temperature:	-55°C - +150°C
Fire protection class DIN EN 45545-2:	R23/HL3



Dimensional drawing

D1 (∅):	60.0
L1 (mm):	39.5
L2 (mm):	24.1
L3 (mm):	4.0
N1:	2 1/16"-16 UN 2A
T1 (mm):	4.3 / M5
X1 (mm):	11.3
S1 (mm):	63.5
R1 (mm):	49.2

Electrical properties

Operating voltage DC (V):	1250
Operating voltage AC (V):	900
Test voltage AC (V):	2800
Insulation resistance (Ω m):	≥ 5000
Insulation creepage distance (mm):	≥ 4.8
Voltage class:	MIL-DTL-5015

Electrical properties contacts

Size 0 - nominal current (A):	150
Size 0 - maximal current (A):	245
Size 0 - test current (A):	200
Size 0* - nominal current (A):	200
Size 0* - maximal current (A):	300
Size 0* - test current (A):	240
Size 12 - nominal current (A):	23
Size 12 - maximal current (A):	41
Size 12 - test current (A):	35

Please contact your Gimota partner for other shell materials, surface coatings or contact insert materials.

Voltage classes tested acc. MIL-DTL-5015

Power transmission verification acc. VG95234 / 2 test 5.10.1 and VG95210 / 37

Corrosion resistance tested acc. MIL 1344A Test 101.1

Temperature shock tested acc. MIL 202F, 107G Method

Electrical conductivity acc. MIL 1344A, Test 3007

Complementary products:

Counterpart:



GR60-36-3PN-EAA

Plug with bayonet coupling nut



GR601-36-3PN-EAA

Plug with bayonet coupling nut, for EMI applications

Backshell:

BEN36-AA
90° elbow backshell



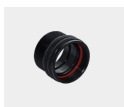
BEN36-M6B-AA
90° elbow backshell with internal metric thread



BSE36-40-AA
Enlarger back shell



BSL36-AA
Backshell straight, long



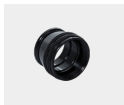
BSN36-AA
Backshell straight, standard



BSN36-M7B-AA
Backshell straight with internal metric thread



BSR36-18-AA
Reducer backshell



BST36-AC
Termination back shell type R for grommets



ET-36-12-AA
EMI adapter with cone ring, for heatshrinkable shape

Cable termination:

10-350349K-3640
Synthetic cable clamp

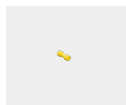
Contacts:

**10-903-0-162G62**Socket contact size 0, 16mm²**10-903-0-252G76**Socket contact size 0, 25mm²**10-903-0-352G89**Socket contact size 0, 35mm²**10-903-0-502G10**Socket contact size 0, 50mm²**10-905-0-162G62**Socket contact size 0*, 16mm²**10-905-0-252G76**Socket contact size 0*, 25mm²**10-905-0-352G89**Socket contact size 0*, 35mm²**10-905-0-502G10**Socket contact size 0*, 50mm²

Filler plugs:

**10-101033-0**

Filler plug, size 0

**10-101033-131**

Filler plug, size 12

Protection cap:

**PR36-AC**

Metallic protection cap to bayonet receptacle (GB, GR & GS)

**PR36-D**

Plastic protection cap to bayonet receptacles (GB, GR & GS)

Accessory:



10-40450-36

Sealing gasket for receptacle, front panel mount



10-40450-36S

Sealing gasket for receptacle, front panel mount, conductive



10-40451-36

Sealing gasket for receptacle, rear panel mount



10-40451-36S

Sealing gasket for receptacle, rear panel mount, conductive