



Plug with bayonet coupling nut

Series GR

Item number: GR60-14S-A7SN-EAA

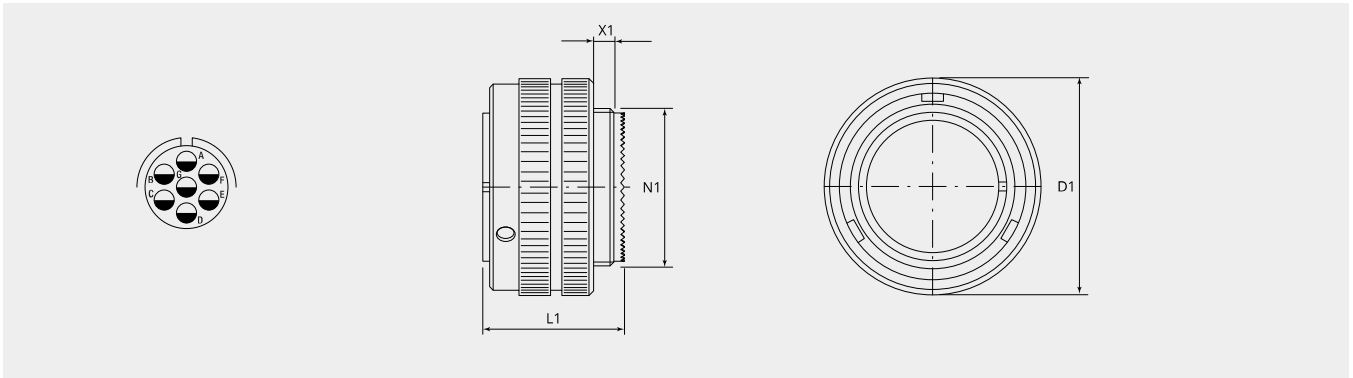
Packing unit: 1

Mechanical properties

| | |
|---------------------------------|----------------|
| Size: | 14S |
| Contact type: | Socket |
| Shell material: | Aluminum alloy |
| Surface treatment: | Zinc |
| Type of surface: | passivated |
| Thickness of surface treatment: | 12-15 μ |
| Surface colour: | black |
| Corrosion resistance (h): | 200 |
| Operation temperature: | -55°C - +90°C |
| Temperature shock: | -55°C - +125°C |
| Conductivity (M Ω): | \leq 0.5 |
| Coupling-torque to lock (Nm): | max. 1.8 |
| Coupling-torque to open (Nm): | min. 0.55 |

Thermal properties

| | |
|---------------------------------------|-----------------------|
| Material contact insert: | Ethylene acrylate GXF |
| Operating temperature: | -55°C - +150°C |
| Fire protection class DIN EN 45545-2: | R23/HL3 |



Dimensional drawing

| | |
|-----------------|-----------------|
| D1 (Ø): | 30.0 |
| L1 (mm): | 24.6 |
| N1: | 3/4"-20 UNEF 2A |
| X1 (mm): | 9.0 |

Electrical properties

| | |
|---|--------------|
| Operating voltage DC (V): | 250 |
| Operating voltage AC (V): | 200 |
| Test voltage AC (V): | 1000 |
| Insulation resistance (Ω m): | ≥ 5000 |
| Insulation creepage distance (mm): | ≥ 1.6 |
| Voltage class: | MIL-DTL-5015 |

Electrical properties contacts

| | |
|--|----|
| Size 16S - nominal current (A): | 13 |
| Size 16S - maximal current (A): | 22 |
| Size 16S - test current (A): | 20 |

Please contact your Gimota partner for other shell materials, surface coatings or contact insert materials.

Voltage classes tested acc. MIL-DTL-5015

Power transmission verification acc. VG95234 / 2 test 5.10.1 and VG95210 / 37

Corrosion resistance tested acc. MIL 1344A Test 101.1

Temperature shock tested acc. MIL 202F, 107G Method

Electrical conductivity acc. MIL 1344A, Test 3007

Complementary products:

Counterpart:



GR11-14S-A7PN-EAA
Cable receptacle



GR321-14S-A7PN-EAA
Receptacle with flange



GR72-14S-A7PN-EAA
Jam nut receptacle

Backshell:



BEN14-AA
90° elbow backshell



BEN14-M2B-AA
90° elbow backshell with internal metric thread



BSH14-AA
Backshell with groove for heatshrinkable shapes



BSL14-AA
Backshell straight, long



BSN14-AA
Backshell straight, standard



BSN14-M2B-AA
Backshell straight with internal metric thread



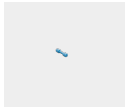
BST14-AA
Termination back shell typ R for grommet



ET-14-02-AA
EMI adapter with cone ring, for heatshrinkable shape



ET-14-03-AA
EMI adapter with cone ring, for heatshrinkable shape

Contacts:**10-40552-05AU**Socket contact size 16S, 0.25 - 0.5mm²**10-40552AU**Socket contact size 16S, 0.75 - 1.5mm²**Filler plugs:****10-101033-121**

Filler plug, size 16/16S

Protection cap:**PP14S-AA**

Metallic protection cap to bayonet plug (GB,GR & GS)

**PP14S-D**

Plastic protection cap to bayonet plugs (GB, GR & GS)