



Plug with bayonet coupling nut

Series GR

Item number: GR60-20-27SN-EAA

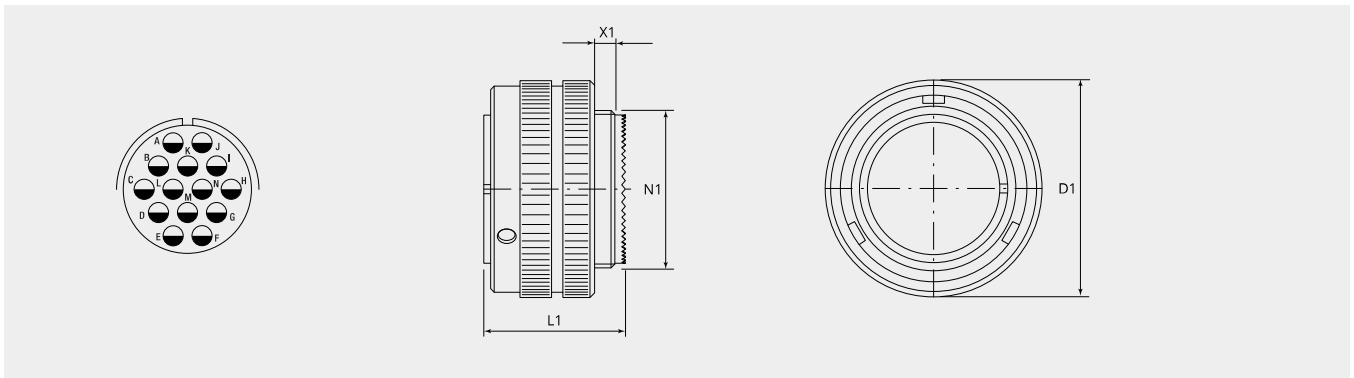
Packing unit: 1

Mechanical properties

Size:	20
Contact type:	Socket
Coding options:	4
Number of contacts, size 16:	14
Shell material:	Aluminum alloy
Surface treatment:	Zinc
Type of surface:	passivated
Thickness of surface treatment:	12-15 μ
Surface colour:	black
Corrosion resistance (h):	200
Operation temperature:	-55°C - +90°C
Temperature shock:	-55°C - +125°C
Conductivity (M Ω):	\leq 0.5
Coupling-torque to lock (Nm):	max. 5.0
Coupling-torque to open (Nm):	min. 1.5

Thermal properties

Material contact insert:	Ethylene acrylate GXF
Operating temperature:	-55°C - +150°C
Fire protection class DIN EN 45545-2:	R23/HL3



Dimensional drawing

D1 (Ø):	40.0
L1 (mm):	36.0
N1:	1 1/8"-18 UNEF 2A
X1 (mm):	9.0

Electrical properties

Operating voltage DC (V):	700
Operating voltage AC (V):	500
Test voltage AC (V):	2000
Insulation resistance (Ω m):	≥ 5000
Insulation creepage distance (mm):	≥ 3.2
Voltage class:	MIL-DTL-5015

Electrical properties contacts

Size 16 - nominal current [continuous] (A):	13
Size 16 - maximal current [short-term] (A):	22
Size 16 - test current (A):	20

Please contact your Gimota partner for other shell materials, surface coatings or contact insert materials.

Voltage classes tested acc. MIL-DTL-5015

Power transmission verification acc. VG95234 / 2 test 5.10.1 and VG95210 / 37

Corrosion resistance tested acc. MIL 1344A Test 101.1

Temperature shock tested acc. MIL 202F, 107G Method

Electrical conductivity acc. MIL 1344A, Test 3007

Complementary products:

Counterpart:

**GR11-20-27PN-EAA**

Cable receptacle

**GR321-20-27PN-EAA**

Receptacle with flange

**GR72-20-27PN-EAA**

Jam nut receptacle

Backshell:

**BEN20-AA**

90° elbow backshell

**BEN20-M4B-AA**

90° elbow backshell with internal metric thread

**BSH20-AA**

Backshell with groove for heatshrinkable shapes

**BSL20-AA**

Backshell straight, long

**BSN20-AA**

Backshell straight, standard

**BSN20-M4B-AA**

Backshell straight with internal metric thread

**BST20-AA**

Termination back shell typ R for grommet

**ET-20-05-AA**

EMI adapter with cone ring, for heatshrinkable shape

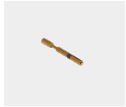
Contacts:

**10-40556-05AU**

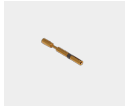
Socket contact size 16, 0.25 - 0.5mm²

**10-40556-075AU**

Socket contact size 16, 0.75mm²

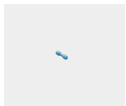
**10-40556-20-1AU**

Socket contact size 16, 1.5mm²

**10-40556AU**

Socket contact size 16, 1.0mm²

Filler plugs:

**10-101033-121**

Filler plug, size 16/16S

Protection cap:

**PP20-AA**

Metallic protection cap to bayonet plug (GB, GR & GS)

**PP20-D**

Plastic protection cap to bayonet plugs (GB, GR & GS)