



# Plug with bayonet coupling nut, for EMI applications

Series GR

Item number: GR601-24-A28SN-EAA

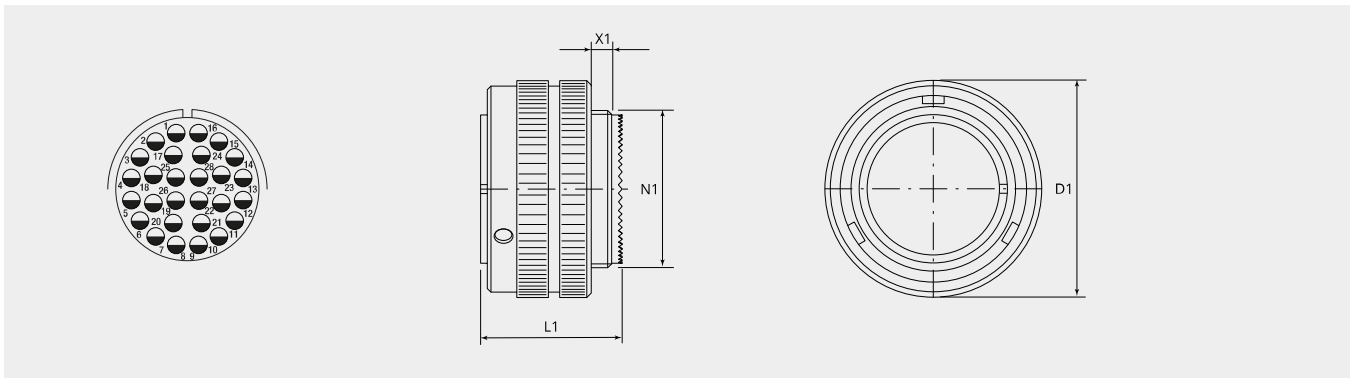
Packing unit: 1

## Mechanical properties

Size:	28
Contact type:	Socket
Coding options:	3
Number of contacts, size 16:	28
Shell material:	Aluminum alloy
Surface treatment:	Zinc
Type of surface:	passivated
Thickness of surface treatment:	12-15 $\mu$
Surface colour:	black
Corrosion resistance (h):	200
Operation temperature:	-55°C - +90°C
Temperature shock:	-55°C - +125°C
Conductivity (M $\Omega$ ):	$\leq$ 0.5
EMI:	Yes
Coupling-torque to lock (Nm):	max. 7.0
Coupling-torque to open (Nm):	min. 2.7

## Thermal properties

Material contact insert:	Ethylene acrylate GXF
Operating temperature:	-55°C - +150°C
Fire protection class DIN EN 45545-2:	R23/HL3



## Dimensional drawing

<b>D1 (Ø):</b>	54.0
<b>L1 (mm):</b>	36.0
<b>N1:</b>	1 5/8"-18 UNEF 2A
<b>X1 (mm):</b>	9.0

## Electrical properties

<b>Operating voltage DC (V):</b>	250
<b>Operating voltage AC (V):</b>	200
<b>Test voltage AC (V):</b>	1000
<b>Insulation resistance (Ω m):</b>	≥ 5000
<b>Insulation creepage distance (mm):</b>	≥ 1.6
<b>Voltage class:</b>	MIL-DTL-5015

## Electrical properties contacts

<b>Size 16 - nominal current [continuous] (A):</b>	13
<b>Size 16 - maximal current [short-term] (A):</b>	22
<b>Size 16 - test current (A):</b>	20

**Please contact your Gimota partner for other shell materials, surface coatings or contact insert materials.**

Voltage classes tested acc. MIL-DTL-5015

Power transmission verification acc. VG95234 / 2 test 5.10.1 and VG95210 / 37

Corrosion resistance tested acc. MIL 1344A Test 101.1

Temperature shock tested acc. MIL 202F, 107G Method

Electrical conductivity acc. MIL 1344A, Test 3007