



Plug with bayonet coupling nut, for EMI applications

Series GR

Item number: GR601-36-3PN-EAA

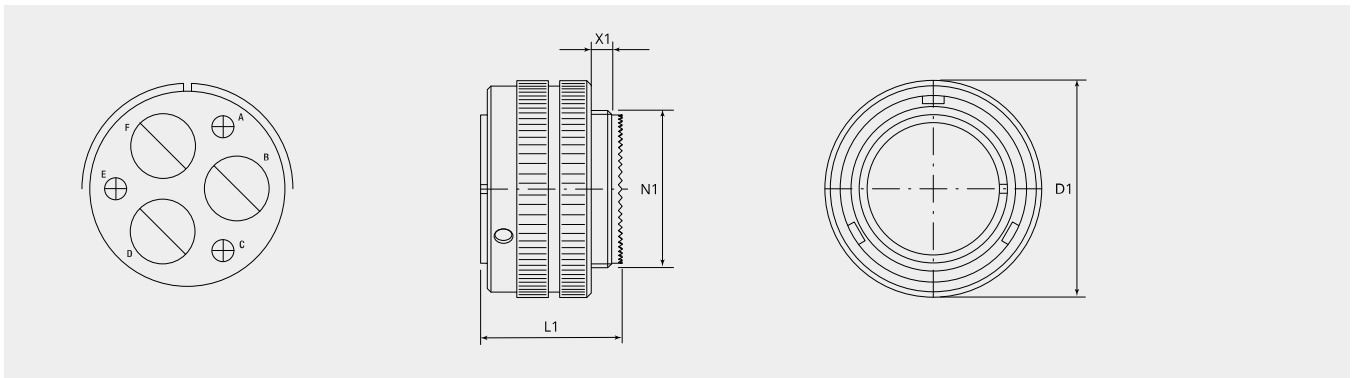
Packing unit: 1

Mechanical properties

Size:	36
Contact type:	Pin
Coding options:	4
Number of contacts, size 0:	3
Number of contacts, size 12:	3
Shell material:	Aluminum alloy
Surface treatment:	Zinc
Type of surface:	passivated
Thickness of surface treatment:	12-15 μ
Surface colour:	black
Corrosion resistance (h):	200
Operation temperature:	-55°C - +90°C
Temperature shock:	-55°C - +125°C
Conductivity (M Ω):	≤ 0.5
EMI:	Yes
Coupling-torque to lock (Nm):	max. 9.0
Coupling-torque to open (Nm):	min. 4.5

Thermal properties

Material contact insert:	Ethylene acrylate GXF
Operating temperature:	-55°C - +150°C
Fire protection class DIN EN 45545-2:	R23/HL3



Dimensional drawing

D1 (Ø):	67.0
L1 (mm):	38.5
N1:	2 1/16"-16 UN 2A
X1 (mm):	11.3

Electrical properties

Operating voltage DC (V):	1250
Operating voltage AC (V):	900
Test voltage AC (V):	2800
Insulation resistance (Ω m):	≥ 5000
Insulation creepage distance (mm):	≥ 4.8
Voltage class:	MIL-DTL-5015

Electrical properties contacts

Size 0 - nominal current (A):	200
Size 0 - maximal current (A):	300
Size 0 - test current (A):	240
Size 12 - nominal current (A):	23
Size 12 - maximal current (A):	41
Size 12 - test current (A):	35

Please contact your Gimota partner for other shell materials, surface coatings or contact insert materials.

Voltage classes tested acc. MIL-DTL-5015

Power transmission verification acc. VG95234 / 2 test 5.10.1 and VG95210 / 37

Corrosion resistance tested acc. MIL 1344A Test 101.1

Temperature shock tested acc. MIL 202F, 107G Method

Electrical conductivity acc. MIL 1344A, Test 3007

Complementary products:

Counterpart:

**GR11-36-3SN-EAA**

Cable receptacle

**GR321-36-3SN-EAA**

Receptacle with flange

**GR72-36-3SN-EAA**

Jam nut receptacle

Backshell:

**BEN36-AA**

90° elbow backshell

**BEN36-M6B-AA**

90° elbow backshell with internal metric thread

**BSE36-40-AA**

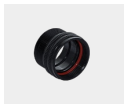
Enlarger back shell

**BSH36-AA**

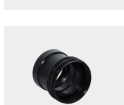
Backshell with groove for heatshrinkable shapes

**BSL36-AA**

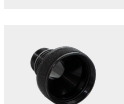
Backshell straight, long

**BSN36-AA**

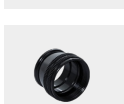
Backshell straight, standard

**BSN36-M7B-AA**

Backshell straight with internal metric thread

**BSR36-18-AA**

Reducer backshell

**BST36-AA**

Termination back shell typ R for grommet

**ET-36-12-AA**

EMI adapter with cone ring, for heatshrinkable shape

Cable termination:



10-350349K-3640

Synthetic cable clamp

Contacts:



10-40561-11AU

Pin contact size 12, 0.5mm²



10-40561-15AU

Pin contact size 12, 0.75 - 1.0mm²



10-40561-18AU

Pin contact size 12, 1.5mm²



10-40561-22AU

Pin contact size 12, 2.5mm²



10-40561-30AU

Pin contact size 12, 4.0mm²



10-40561-38AU

Pin contact size 12, 6.0mm²



10-660-0-162G62

Pin contact size 0, 16mm²



10-660-0-252G76

Pin contact size 0, 25mm²



10-660-0-352G89

Pin contact size 0, 35mm²



10-660-0-502G10

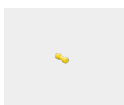
Pin contact size 0, 50mm²

Filler plugs:



10-101033-0

Filler plug, size 0



10-101033-131

Filler plug, size 12

Protection cap:



PP36-AA

Metallic protection cap to bayonet plug (GB, GR & GS)



PP36-D

Plastic protection cap to bayonet plugs (GB, GR & GS)