



Plug with bayonet coupling nut, for EMI applications

Series GR

Item number: GR601-40-A3SN-EAA

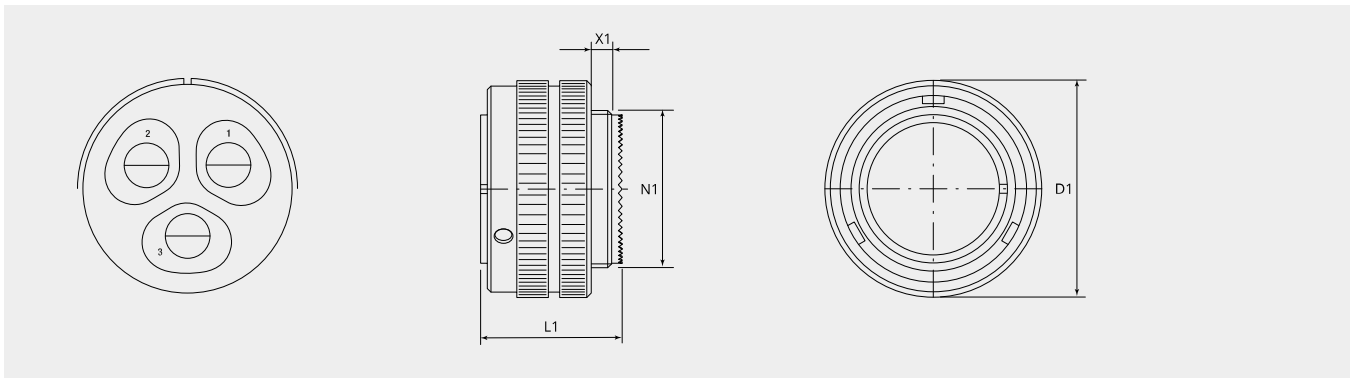
Packing unit: 1

Mechanical properties

Size:	40
Contact type:	Socket
Number of contacts, size 4:	3
Shell material:	Aluminum alloy
Surface treatment:	Zinc
Type of surface:	passivated
Thickness of surface treatment:	12-15 μ
Surface colour:	black
Corrosion resistance (h):	200
Operation temperature:	-55°C - +90°C
Temperature shock:	-55°C - +125°C
Conductivity (M Ω):	\leq 0.5
EMI:	Yes
Coupling-torque to lock (Nm):	max. 10.0
Coupling-torque to open (Nm):	min. 5.9

Thermal properties

Material contact insert:	Ethylene acrylate GXF
Operating temperature:	-55°C - +150°C
Fire protection class DIN EN 45545-2:	R23/HL3



Dimensional drawing

D1 (Ø):	73.0
L1 (mm):	38.5
N1:	2 5/16"-16 UN 2A
X1 (mm):	11.3

Electrical properties

Operating voltage AC (V):	3000
Insulation resistance (Ω m):	≥ 5000
Voltage class:	ABB

Electrical properties contacts

Size 4 - nominal current (A):	80
Size 4 - maximal current (A):	135
Size 4 - test current (A):	110

Please contact your Gimota partner for other shell materials, surface coatings or contact insert materials.

Voltage classes tested acc. MIL-DTL-5015

Power transmission verification acc. VG95234 / 2 test 5.10.1 and VG95210 / 37

Corrosion resistance tested acc. MIL 1344A Test 101.1

Temperature shock tested acc. MIL 202F, 107G Method

Electrical conductivity acc. MIL 1344A, Test 3007

Complementary products:

Counterpart:

**GR11-40-A3PN-EAA**

Cable receptacle

**GR321-40-A3PN-EAA**

Receptacle with flange

**GR72-40-A3PN-EAA**

Jam nut receptacle

Backshell:

**BEN40-AA**

90° elbow backshell

**BEN40-M7B-AA**

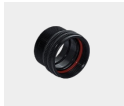
90° elbow backshell with internal metric thread

**BSH40-AA**

Backshell with groove for heatshrinkable shapes

**BSL40-AA**

Backshell straight, long

**BSN40-AA**

Backshell straight, standard

**BSN40-M7B-AA**

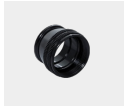
Backshell straight with internal metric thread

**BSR40-32-AA**

Reducer backshell

**BSR40-36-AA**

Reducer backshell

**BST40-AA**

Termination back shell typ R for grommet

**ET-40-14-AA**

EMI adapter with cone ring, for heatshrinkable shape

Cable termination:



10-350349K-403

Synthetic cable clamp



10-350349K-4040

Synthetic cable clamp

Contacts:



10-903-4-10G10

Socket contact size 4, 10mm²



10-903-4-16G10

Socket contact size 4, 16mm²



10-903-4-16G62

Socket contact size 4, 16mm²



10-903-4-6G10

Socket contact size 4, 6.0mm²

Filler plugs:



10-101033-4

Filler plug, size 4

Protection cap:



PP40-AA-GR

Metallic protection cap to bayonet plug (GR & GS)