



Jam nut receptacle

Series GR

Item number: GR72-14S-6PN-EAA

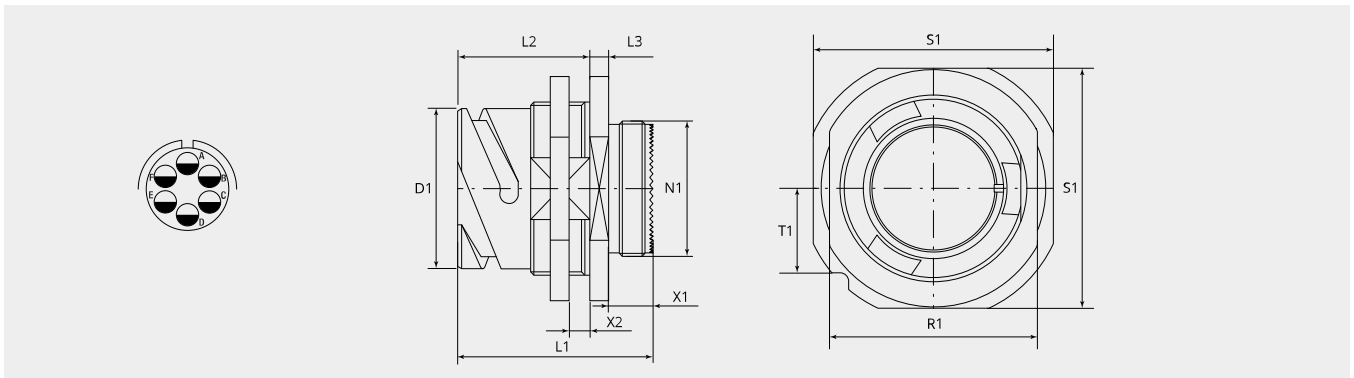
Packing unit: 1

Mechanical properties

Size:	14S
Contact type:	Pin
Coding options:	1
Shell material:	Aluminum alloy
Surface treatment:	Zinc
Type of surface:	passivated
Thickness of surface treatment:	12-15 μ
Surface colour:	black
Corrosion resistance (h):	200
Operation temperature:	-55°C - +90°C
Temperature shock:	-55°C - +125°C
Conductivity (M Ω):	\leq 0.5
EMI:	Yes
Coupling-torque to lock (Nm):	max. 1.8
Coupling-torque to open (Nm):	min. 0.55

Thermal properties

Material contact insert:	Ethylene acrylate GXF
Operating temperature:	-55°C - +150°C
Fire protection class DIN EN 45545-2:	R23/HL3



Dimensional drawing

D1 (Ø):	24.6
L1 (mm):	39.8
L2 (mm):	26.8
L3 (mm):	4.8
N1:	3/4"-20 UNEF 2A
T1 (mm):	14.6
X1 (mm):	9.0
X2 (mm):	2.4 - 7.5
S1 (mm):	41.3
R1 (mm):	33.0

Electrical properties

Operating voltage DC (V):	250
Operating voltage AC (V):	200
Test voltage AC (V):	1000
Insulation resistance (Ω m):	≥ 5000
Insulation creepage distance (mm):	≥ 1.6
Voltage class:	MIL-DTL-5015

Electrical properties contacts

Size 16S - nominal current (A):	13
Size 16S - maximal current (A):	22
Size 16S - test current (A):	20

Please contact your Gimota partner for other shell materials, surface coatings or contact insert materials.

Voltage classes tested acc. MIL-DTL-5015

Power transmission verification acc. VG95234 / 2 test 5.10.1 and VG95210 / 37

Corrosion resistance tested acc. MIL 1344A Test 101.1

Temperature shock tested acc. MIL 202F, 107G Method

Electrical conductivity acc. MIL 1344A, Test 3007