



# Jam nut receptacle

## Series GR

Item number: GR72-28-22SN-EAA

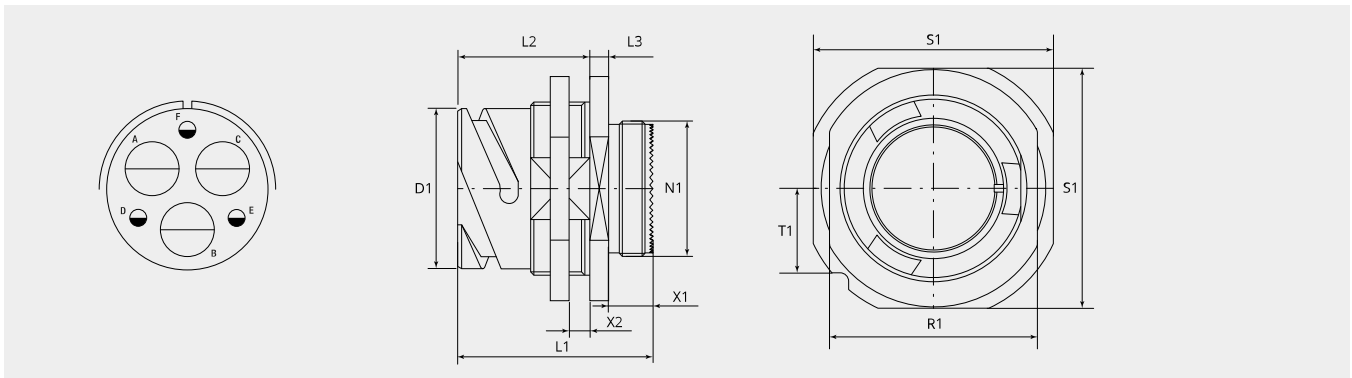
Packing unit: 1

### Mechanical properties

|                                 |                |
|---------------------------------|----------------|
| Size:                           | 28             |
| Contact type:                   | Socket         |
| Coding options:                 | 4              |
| Number of contacts, size 16:    | 3              |
| Number of contacts, size 4:     | 3              |
| Shell material:                 | Aluminum alloy |
| Surface treatment:              | Zinc           |
| Type of surface:                | passivated     |
| Thickness of surface treatment: | 12-15 $\mu$    |
| Surface colour:                 | black          |
| Corrosion resistance (h):       | 200            |
| Operation temperature:          | -55°C - +90°C  |
| Temperature shock:              | -55°C - +125°C |
| Conductivity (M $\Omega$ ):     | $\leq$ 0.5     |
| EMI:                            | Yes            |
| Coupling-torque to lock (Nm):   | max. 7.0       |
| Coupling-torque to open (Nm):   | min. 2.7       |

### Thermal properties

|                                       |                       |
|---------------------------------------|-----------------------|
| Material contact insert:              | Ethylene acrylate GXF |
| Operating temperature:                | -55°C - +150°C        |
| Fire protection class DIN EN 45545-2: | R23/HL3               |



## Dimensional drawing

|                 |                   |
|-----------------|-------------------|
| <b>D1 (∅):</b>  | 46.7              |
| <b>L1 (mm):</b> | 52.0              |
| <b>L2 (mm):</b> | 35.2              |
| <b>L3 (mm):</b> | 5.6               |
| <b>N1:</b>      | 1 5/8"-18 UNEF 2A |
| <b>T1 (mm):</b> | 22.5              |
| <b>X1 (mm):</b> | 9.0               |
| <b>X2 (mm):</b> | 2.4- 8.5          |
| <b>S1 (mm):</b> | 63.5              |
| <b>R1 (mm):</b> | 55.0              |

## Electrical properties

|   |              |
|---|--------------|
| <b>Operating voltage DC (V):</b>          | 1250         |
| <b>Operating voltage AC (V):</b>          | 900          |
| <b>Test voltage AC (V):</b>               | 2800         |
| <b>Insulation resistance (Ω m):</b>       | ≥ 5000       |
| <b>Insulation creepage distance (mm):</b> | ≥ 4.8        |
| <b>Voltage class:</b>                     | MIL-DTL-5015 |

## Electrical properties contacts

|  |     |
|--|-----|
| <b>Size 4 - nominal current (A):</b>               | 80  |
| <b>Size 4 - maximal current (A):</b>               | 135 |
| <b>Size 4 - test current (A):</b>                  | 110 |
| <b>Size 16 - nominal current [continuous] (A):</b> | 13  |
| <b>Size 16 - maximal current [short-term] (A):</b> | 22  |
| <b>Size 16 - test current (A):</b>                 | 20  |

**Please contact your Gimota partner for other shell materials, surface coatings or contact insert materials.**

Voltage classes tested acc. MIL-DTL-5015

Power transmission verification acc. VG95234 / 2 test 5.10.1 and VG95210 / 37

Corrosion resistance tested acc. MIL 1344A Test 101.1

Temperature shock tested acc. MIL 202F, 107G Method

Electrical conductivity acc. MIL 1344A, Test 3007