



# Jam nut receptacle

## Series GR

Item number: GR72-40-A3PN-EAA

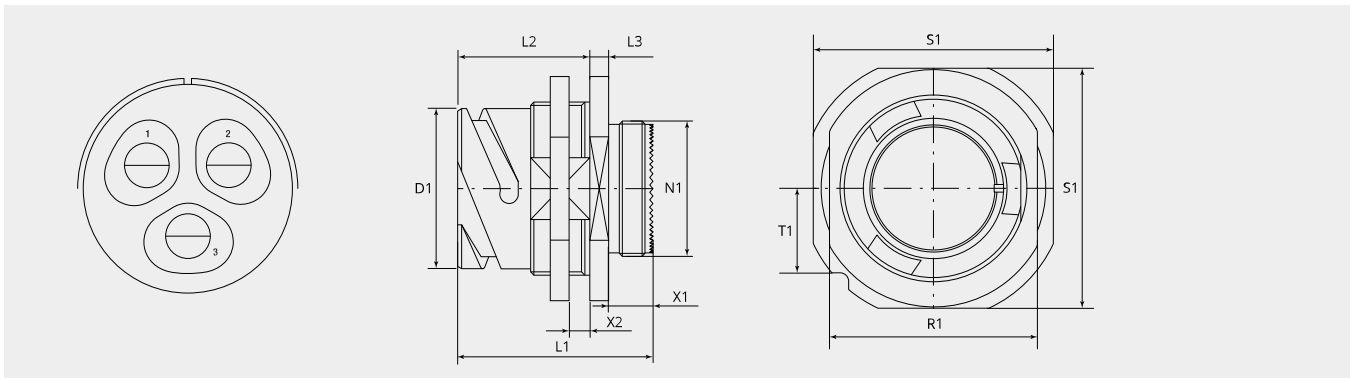
Packing unit: 1

### Mechanical properties

Size:	40
Contact type:	Pin
Number of contacts, size 4:	3
Shell material:	Aluminum alloy
Surface treatment:	Zinc
Type of surface:	passivated
Thickness of surface treatment:	12-15 $\mu$
Surface colour:	black
Corrosion resistance (h):	200
Operation temperature:	-55°C - +90°C
Temperature shock:	-55°C - +125°C
Conductivity (M $\Omega$ ):	$\leq$ 0,5
EMI:	Yes
Coupling-torque to lock (Nm):	max. 10.0
Coupling-torque to open (Nm):	min. 5.9

### Thermal properties

Material contact insert:	Ethylene acrylate GXF
Operating temperature:	-55°C - +150°C
Fire protection class DIN EN 45545-2:	R23/HL3



## Dimensional drawing

<b>D1 (Ø):</b>	66.0
<b>L1 (mm):</b>	62.0
<b>L2 (mm):</b>	35.2
<b>L3 (mm):</b>	5.6
<b>N1:</b>	2 5/16"-16 UN 2A
<b>T1 (mm):</b>	29.6
<b>X1 (mm):</b>	11.3
<b>X2 (mm):</b>	2.4 - 8.3
<b>S1 (mm):</b>	83.5
<b>R1 (mm):</b>	75.0

## Electrical properties

<b>Operating voltage AC (V):</b>	3000
<b>Insulation resistance (Ω m):</b>	≥ 5000
<b>Voltage class:</b>	ABB

## Electrical properties contacts

<b>Size 4 - nominal current (A):</b>	80
<b>Size 4 - maximal current (A):</b>	135
<b>Size 4 - test current (A):</b>	110

**Please contact your Gimota partner for other shell materials, surface coatings or contact insert materials.**

Voltage classes tested acc. MIL-DTL-5015

Power transmission verification acc. VG95234 / 2 test 5.10.1 and VG95210 / 37

Corrosion resistance tested acc. MIL 1344A Test 101.1

Temperature shock tested acc. MIL 202F, 107G Method

Electrical conductivity acc. MIL 1344A, Test 3007

## Complementary products:

### Counterpart:

**GR60-40-A3SN-EAA**

Plug with bayonet coupling nut

**GR601-40-A3SN-EAA**

Plug with bayonet coupling nut, for EMI applications

### Backshell:

**BEN40-AA**

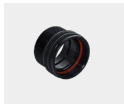
90° elbow backshell

**BEN40-M7B-AA**

90° elbow backshell with internal metric thread

**BSL40-AA**

Backshell straight, long

**BSN40-AA**

Backshell straight, standard

**BSN40-M7B-AA**

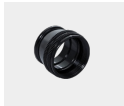
Backshell straight with internal metric thread

**BSR40-32-AA**

Reducer backshell

**BSR40-36-AA**

Reducer backshell

**BST40-AC**

Termination back shell type R for grommets

**ET-40-14-AA**

EMI adapter with cone ring, for heatshrinkable shape

#### Cable termination:



**10-350349K-403**

Synthetic cable clamp



**10-350349K-4040**

Synthetic cable clamp

---

#### Contacts:



**10-660-4-10G10**

Pin contact size 4, 10mm<sup>2</sup>



**10-660-4-16G10**

Pin contact size 4, 16mm<sup>2</sup>



**10-660-4-16G62**

Pin contact size 4, 16mm<sup>2</sup>



**10-660-4-6G10**

Pin contact size 4, 6.0mm<sup>2</sup>

---

#### Filler plugs:



**10-101033-4**

Filler plug, size 4

---

#### Protection cap:



**PR40-AC-GR**

Metallic protection cap to bayonet receptacle (GR & GS)



**PR40-D**

Plastic protection cap to bayonet receptacles (GB, GR & GS)