



# Cable receptacle

## Series GS

Item number: GS11-36-10SN-EAA

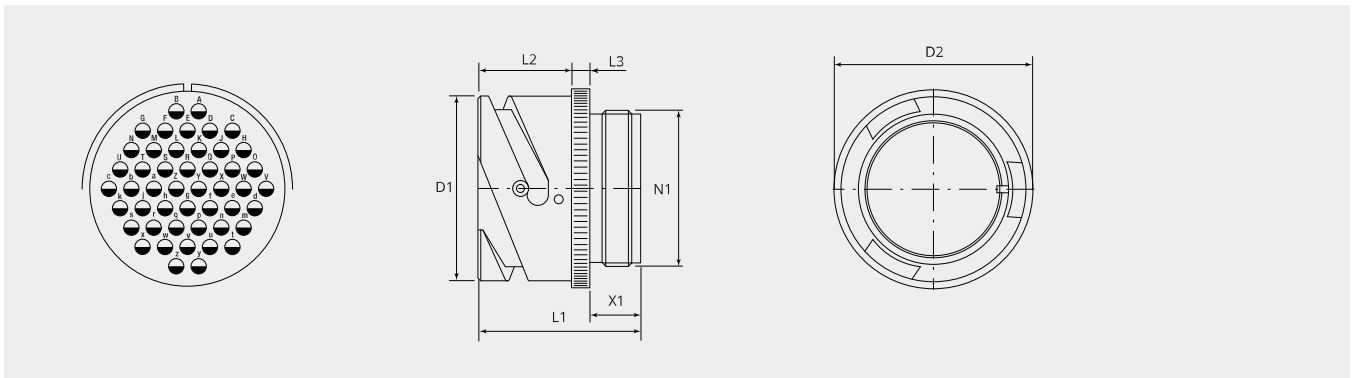
Packing unit: 1

### Mechanical properties

Size:	36
Contact type:	Socket
Coding options:	4
Number of contacts, size 16:	48
Shell material:	Aluminum alloy
Surface treatment:	Zinc
Type of surface:	passivated
Thickness of surface treatment:	12-15 $\mu$
Surface colour:	black
Corrosion resistance (h):	200
Operation temperature:	-55°C - +90°C
Temperature shock:	-55°C - +125°C
Conductivity (M $\Omega$ ):	$\leq$ 0.5
EMI:	Yes
Coupling-torque to lock (Nm):	max. 9.0
Coupling-torque to open (Nm):	min. 4.5

### Thermal properties

Material contact insert:	Ethylene acrylate GXF
Operating temperature:	-55°C - +150°C
Fire protection class DIN EN 45545-2:	R23/HL3



## Dimensional drawing

<b>D1 (Ø):</b>	59.6
<b>D2 (Ø):</b>	62.5
<b>L1 (mm):</b>	37.5
<b>L2 (mm):</b>	22.2
<b>L3 (mm):</b>	4.0
<b>N1:</b>	2 1/16"-16 UN 2A
<b>X1 (mm):</b>	11.3

## Electrical properties

<b>Operating voltage DC (V):</b>	700
<b>Operating voltage AC (V):</b>	500
<b>Test voltage AC (V):</b>	2000
<b>Insulation resistance (Ω m):</b>	≥ 5000
<b>Insulation creepage distance (mm):</b>	≥ 3.2
<b>Voltage class:</b>	MIL-DTL-5015

## Electrical properties contacts

<b>Size 16 - nominal current [continuous] (A):</b>	13
<b>Size 16 - maximal current [short-term] (A):</b>	22
<b>Size 16 - test current (A):</b>	20

**Please contact your Gimota partner for other shell materials, surface coatings or contact insert materials.**

Voltage classes tested acc. MIL-DTL-5015

Power transmission verification acc. VG95234 / 2 test 5.10.1 and VG95210 / 37

Corrosion resistance tested acc. MIL 1344A Test 101.1

Temperature shock tested acc. MIL 202F, 107G Method

Electrical conductivity acc. MIL 1344A, Test 3007

## Complementary products:

### Counterpart:



**GS60-36-10PN-EAA**

Plug with bayonet coupling nut



**GS601-36-10PN-EAA**

Plug with bayonet coupling nut, for EMI applications



**GS602-36-10PN-EAA**

Plug with rubber coated coupling nut



**GS604-36-10PN-EAA**

Plug with rubber coated coupling nut, for EMI applications

### Backshell:



**BEN36-AA**  
90° elbow backshell



**BEN36-M6B-AA**  
90° elbow backshell with internal metric thread



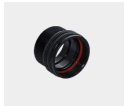
**BSE36-40-AA**  
Enlarger back shell



**BSH36-AA**  
Backshell with groove for heatshrinkable shapes



**BSL36-AA**  
Backshell straight, long



**BSN36-AA**  
Backshell straight, standard



**BSN36-M7B-AA**  
Backshell straight with internal metric thread



**BSR36-18-AA**  
Reducer backshell



**BST36-AA**  
Termination back shell typ R for grommet

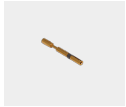
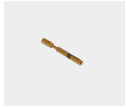
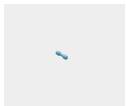


**ET-36-12-AA**  
EMI adapter with cone ring, for heatshrinkable shape

### Cable termination:



**10-350349K-3640**  
Synthetic cable clamp

**Contacts:****10-40556-05AU**Socket contact size 16, 0.25 - 0.5mm<sup>2</sup>**10-40556-075AU**Socket contact size 16, 0.75mm<sup>2</sup>**10-40556-20-1AU**Socket contact size 16, 1.5mm<sup>2</sup>**10-40556AU**Socket contact size 16, 1.0mm<sup>2</sup>**Filler plugs:****10-101033-121**

Filler plug, size 16/16S

**Protection cap:****PR36-AA**

Metallic protection cap for bayonet receptacles (GB, GR &amp; GS)

**PR36-D**

Plastic protection cap to bayonet receptacles (GB, GR &amp; GS)