



Receptacle with flange

Series GS

Item number: GS321-24-07PN-EAA

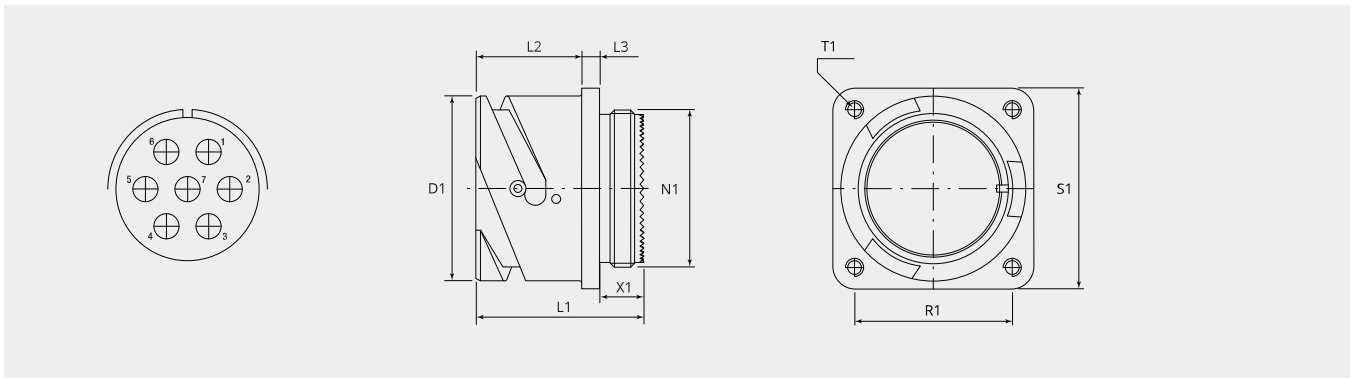
Packing unit: 1

Mechanical properties

| | |
|---------------------------------|----------------|
| Size: | 24 |
| Contact type: | Pin |
| Coding options: | 2 |
| Number of contacts, size 12: | 7 |
| Shell material: | Aluminum alloy |
| Surface treatment: | Zinc |
| Type of surface: | passivated |
| Thickness of surface treatment: | 12-15 μ |
| Surface colour: | black |
| Corrosion resistance (h): | 200 |
| Operation temperature: | -55°C - +90°C |
| Temperature shock: | -55°C - +125°C |
| Conductivity (M Ω): | \leq 0.5 |
| EMI: | Yes |
| Coupling-torque to lock (Nm): | max. 6.5 |
| Coupling-torque to open (Nm): | min. 2.0 |

Thermal properties

| | |
|---------------------------------------|-----------------------|
| Material contact insert: | Ethylene acrylate GXF |
| Operating temperature: | -55°C - +150°C |
| Fire protection class DIN EN 45545-2: | R23/HL3 |



Dimensional drawing

| | |
|-----------------|-------------------|
| D1 (∅): | 41.0 |
| L1 (mm): | 38.8 |
| L2 (mm): | 23.1 |
| L3 (mm): | 4.0 |
| N1: | 1 3/8"-18 UNEF 2A |
| T1 (mm): | 3.7 |
| X1 (mm): | 9.0 |
| S1 (mm): | 44.5 |
| R1 (mm): | 35.0 |

Electrical properties

| | |
|---|---------------|
| Operating voltage AC (V): | 130/250* |
| Voltage class: | SEV-EN60998-1 |
| Contact numbers: | All |
| Operating voltage DC (V): | 1250 |
| Operating voltage AC (V): | 900 |
| Test voltage AC (V): | 2800 |
| Insulation resistance (Ω m): | ≥ 5000 |
| Insulation creepage distance (mm): | ≥ 4.8 |
| Voltage class: | MIL-DTL-5015 |

Electrical properties contacts

| | |
|---------------------------------------|----|
| Size 12 - nominal current (A): | 23 |
| Size 12 - maximal current (A): | 41 |
| Size 12 - test current (A): | 35 |

Please contact your Gimota partner for other shell materials, surface coatings or contact insert materials.

Voltage classes tested acc. MIL-DTL-5015

Power transmission verification acc. VG95234 / 2 test 5.10.1 and VG95210 / 37

Corrosion resistance tested acc. MIL 1344A Test 101.1

Temperature shock tested acc. MIL 202F, 107G Method

Electrical conductivity acc. MIL 1344A, Test 3007