



Receptacle with flange

Series GS

Item number: GS321-24-5SN-EAA

Packing unit: 1

Panel receptacle, with accessory-thread and trough fixing holes. These receptacles correspond to the standards MIL-DTL-5015 and VG95234. They can be used for both indoor and outdoor applications.

Depending on the backshell used watertightness of up to IP69K can be achieved for the connection. The receptacles have been tested for outdoor use according to IEC EN 60529 IP65 / IP67 / IP68 (5bar) and according to DIN 40050 and IP69K.

For outdoor applications a back shell with sealed cable clamp or with an adapter for heat shrinkable shapes is required.

The main properties of these railway-fit receptacles are, in brief: Bayonet coupling | Inserts up to 105 contacts | Cross sections from 0.5 to 50 mm² | Resistant against fuels, greas- and insulating oils etc. | High mechanical loading capacity

Mechanical properties

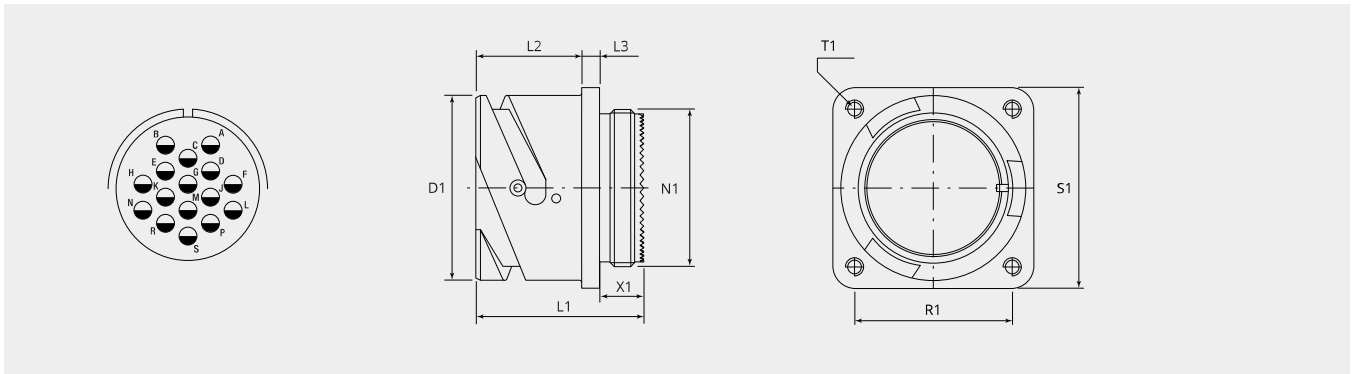
Size:	24
Contact type:	Socket
Coding options:	4
Number of contacts, size 16:	16
Shell material:	Aluminum alloy
Surface treatment:	Zinc
Type of surface:	passivated
Thickness of surface treatment:	12-15µ
Surface colour:	black
Corrosion resistance (h):	200
Operation temperature:	-55°C - +90°C
Temperature shock:	-55°C - +125°C
Conductivity (MΩ):	≤ 0.5
EMI:	Yes
Coupling-torque to lock (Nm):	max. 6.5
Coupling-torque to open (Nm):	min. 2.0

Thermal properties

Material contact insert: Ethylene acrylate GXF

Operating temperature: -55°C - +150°C

Fire protection class DIN EN 45545-2: R23/HL3



Dimensional drawing

D1 (Ø):	41.0
L1 (mm):	38.8
L2 (mm):	23.1
L3 (mm):	4.0
N1:	1 3/8"-18 UNEF 2A
T1 (mm):	3.7
X1 (mm):	9.0
S1 (mm):	44.5
R1 (mm):	35.0

Electrical properties

Operating voltage DC (V):	700
Operating voltage AC (V):	500
Test voltage AC (V):	2000
Insulation resistance (Ω m):	≥ 5000
Insulation creepage distance (mm):	≥ 3.2
Voltage class:	MIL-DTL-5015

Electrical properties contacts

Size 16 - nominal current [continuous] (A):	13
Size 16 - maximal current [short-term] (A):	22
Size 16 - test current (A):	20

Please contact your Gimota partner for other shell materials, surface coatings or contact insert materials.

Voltage classes tested acc. MIL-DTL-5015

Power transmission verification acc. VG95234 / 2 test 5.10.1 and VG95210 / 37

Corrosion resistance tested acc. MIL 1344A Test 101.1

Temperature shock tested acc. MIL 202F, 107G Method

Electrical conductivity acc. MIL 1344A, Test 3007