



Receptacle with flange

Series GS

Item number: GS321-24-A28SN-EAA

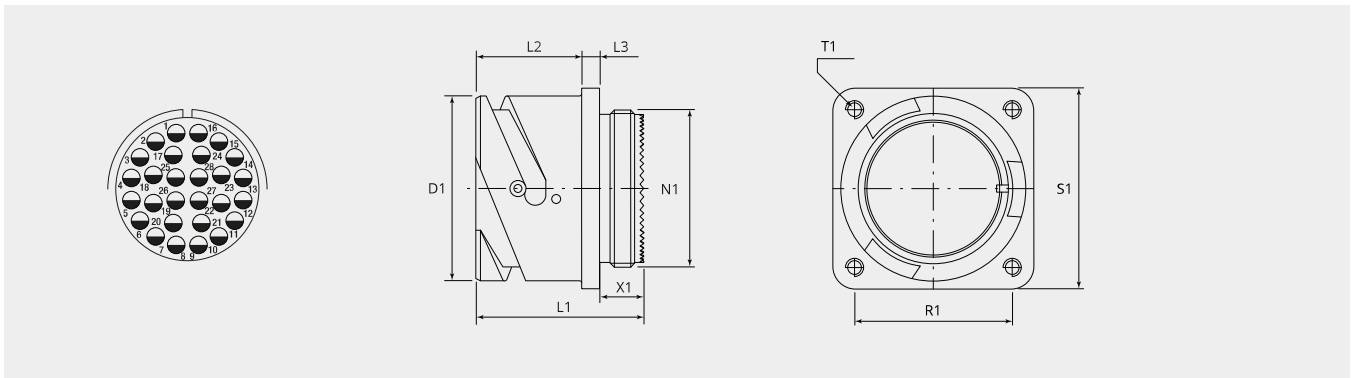
Packing unit: 1

Mechanical properties

Size:	28
Contact type:	Socket
Coding options:	3
Number of contacts, size 16:	28
Shell material:	Aluminum alloy
Surface treatment:	Zinc
Type of surface:	passivated
Thickness of surface treatment:	12-15 μ
Surface colour:	black
Corrosion resistance (h):	200
Operation temperature:	-55°C - +90°C
Temperature shock:	-55°C - +125°C
Conductivity (M Ω):	\leq 0.5
EMI:	Yes
Coupling-torque to lock (Nm):	max. 7.0
Coupling-torque to open (Nm):	min. 2.7

Thermal properties

Material contact insert:	Ethylene acrylate GXF
Operating temperature:	-55°C - +150°C
Fire protection class DIN EN 45545-2:	R23/HL3



Dimensional drawing

D1 (Ø):	46.7
L1 (mm):	39.1
L2 (mm):	24.1
L3 (mm):	4.0
N1:	1 5/8"-18 UNEF 2A
T1 (mm):	3.7
X1 (mm):	9.0
S1 (mm):	50.8
R1 (mm):	39.7

Electrical properties

Operating voltage DC (V):	250
Operating voltage AC (V):	200
Test voltage AC (V):	1000
Insulation resistance (Ω m):	≥ 5000
Insulation creepage distance (mm):	≥ 1.6
Voltage class:	MIL-DTL-5015

Electrical properties contacts

Size 16 - nominal current [continuous] (A):	13
Size 16 - maximal current [short-term] (A):	22
Size 16 - test current (A):	20

Please contact your Gimota partner for other shell materials, surface coatings or contact insert materials.

Voltage classes tested acc. MIL-DTL-5015

Power transmission verification acc. VG95234 / 2 test 5.10.1 and VG95210 / 37

Corrosion resistance tested acc. MIL 1344A Test 101.1

Temperature shock tested acc. MIL 202F, 107G Method

Electrical conductivity acc. MIL 1344A, Test 3007

Complementary products:

Counterpart:



GS60-24-A28PN-EAA

Plug with bayonet coupling nut



GS601-24-A28PN-EAA

Plug with bayonet coupling nut, for EMI applications



GS602-24-A28PN-EAA

Plug with rubber coated coupling nut



GS604-24-A28PN-EAA

Plug with rubber coated coupling nut, for EMI applications

Backshell:



BEN28-AA
90° elbow backshell



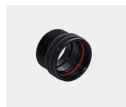
BEN28-M5B-AA
90° elbow backshell with internal metric thread



BSH28-AA
Backshell with groove for heatshrinkable shapes



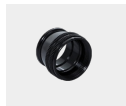
BSL28-AA
Backshell straight, long



BSN28-AA
Backshell straight, standard



BSN28-M5B-AA
Backshell straight with internal metric thread



BST28-AA
Termination back shell typ R for grommet



ET-28-08-AA
EMI adapter with cone ring, for heatshrinkable shape

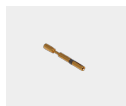
Contacts:



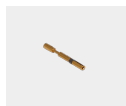
10-40556-05AU
Socket contact size 16, 0.25 - 0.5mm²



10-40556-075AU
Socket contact size 16, 0.75mm²

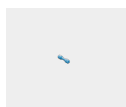


10-40556-20-1AU
Socket contact size 16, 1.5mm²



10-40556AU
Socket contact size 16, 1.0mm²

Filler plugs:



10-101033-121
Filler plug, size 16/16S

Protection cap:

**PR28-AA**

Metallic protection cap for bayonet receptacles (GB,GR & GS)

**PR28-D**

Plastic protection cap to bayonet receptacles (GB, GR &GS)

Accessory:

**10-40450-24**

Sealing gasket for receptacle, front panel mount

**10-40450-24S**

Sealing gasket for receptacle, front panel mount, conductive

**10-40451-24**

Sealing gasket for receptacle, rear panel mount

**10-40451-24S**

Sealing gasket for receptacle, rear panel mount, conductive