



# Receptacle with flange

## Series GS

Item number: GS321-32-A9PN-EAA

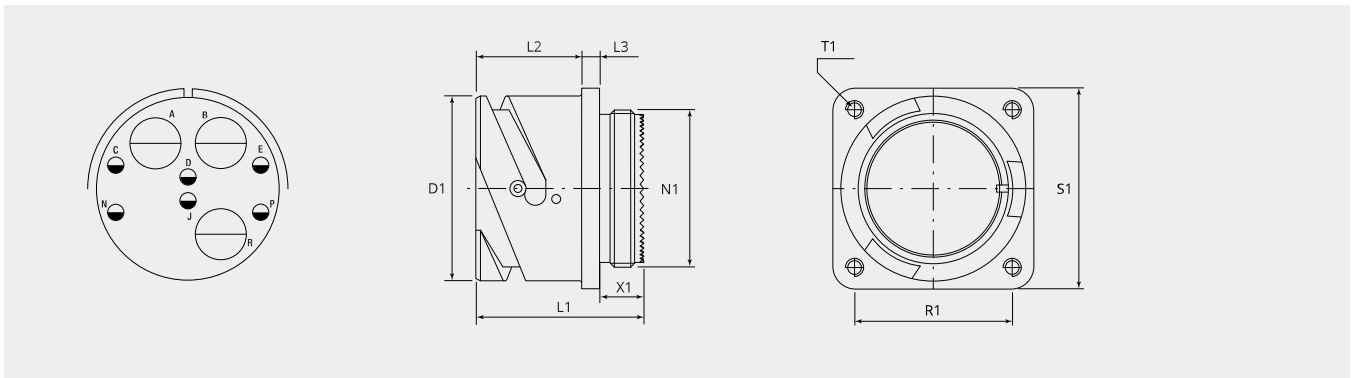
Packing unit: 1

### Mechanical properties

Size:	32
Contact type:	Pin
Coding options:	4
Number of contacts, size 16:	6
Number of contacts, size 4:	3
Shell material:	Aluminum alloy
Surface treatment:	Zinc
Type of surface:	passivated
Thickness of surface treatment:	12-15 $\mu$
Surface colour:	black
Corrosion resistance (h):	200
Operation temperature:	-55°C - +90°C
Temperature shock:	-55°C - +125°C
Conductivity (M $\Omega$ ):	$\leq$ 0.5
EMI:	Yes
Coupling-torque to lock (Nm):	max. 8.0
Coupling-torque to open (Nm):	min. 3.6

### Thermal properties

Material contact insert:	Ethylene acrylate GXF
Operating temperature:	-55°C - +150°C
Fire protection class DIN EN 45545-2:	R23/HL3



## Dimensional drawing

<b>D1 (∅):</b>	53.4
<b>L1 (mm):</b>	39.5
<b>L2 (mm):</b>	24.1
<b>L3 (mm):</b>	4.0
<b>N1:</b>	1 7/8"-16 UN 2A
<b>T1 (mm):</b>	4.3
<b>X1 (mm):</b>	10.5
<b>S1 (mm):</b>	57.0
<b>R1 (mm):</b>	44.5

## Electrical properties

<b>Operating voltage DC (V):</b>	700
<b>Operating voltage AC (V):</b>	500
<b>Test voltage AC (V):</b>	2000
<b>Insulation resistance (Ω m):</b>	≥ 5000
<b>Insulation creepage distance (mm):</b>	≥ 3.2
<b>Voltage class:</b>	MIL-DTL-5015

## Electrical properties contacts

<b>Size 4 - nominal current (A):</b>	80
<b>Size 4 - maximal current (A):</b>	135
<b>Size 4 - test current (A):</b>	110
<b>Size 16 - nominal current [continuous] (A):</b>	13
<b>Size 16 - maximal current [short-term] (A):</b>	22
<b>Size 16 - test current (A):</b>	20

**Please contact your Gimota partner for other shell materials, surface coatings or contact insert materials.**

Voltage classes tested acc. MIL-DTL-5015

Power transmission verification acc. VG95234 / 2 test 5.10.1 and VG95210 / 37

Corrosion resistance tested acc. MIL 1344A Test 101.1

Temperature shock tested acc. MIL 202F, 107G Method

Electrical conductivity acc. MIL 1344A, Test 3007

## Complementary products:

### Counterpart:



**GS60-32-A9SN-EAA**

Plug with bayonet coupling nut



**GS601-32-A9SN-EAA**

Plug with bayonet coupling nut, for EMI applications



**GS602-32-A9SN-EAA**

Plug with rubber coated coupling nut



**GS604-32-A9SN-EAA**

Plug with rubber coated coupling nut, for EMI applications

**Backshell:**

**BEN32-AA**  
90° elbow backshell



**BEN32-M6B-AA**  
90° elbow backshell with internal metric thread



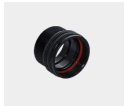
**BSE32-36-AA**  
Enlarger back shell



**BSH32-AA**  
Backshell with groove for heatshrinkable shapes



**BSL32-AA**  
Backshell straight, long



**BSN32-AA**  
Backshell straight, standard



**BSN32-M6B-AA**  
Backshell straight with internal metric thread



**BSR32-18-AA**  
Reducer backshell



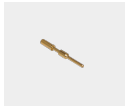
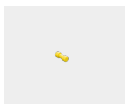
**BST32-AA**  
Termination back shell typ R for grommet



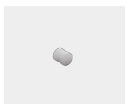
**ET-32-10-AA**  
EMI adapter with cone ring, for heatshrinkable shape

**Cable termination:**

**10-350349K-323**  
Synthetic cable clamp

**Contacts:****10-40561-11AU**Pin contact size 12, 0.5mm<sup>2</sup>**10-40561-15AU**Pin contact size 12, 0.75 - 1.0mm<sup>2</sup>**10-40561-18AU**Pin contact size 12, 1.5mm<sup>2</sup>**10-40561-22AU**Pin contact size 12, 2.5mm<sup>2</sup>**10-40561-30AU**Pin contact size 12, 4.0mm<sup>2</sup>**10-40561-38AU**Pin contact size 12, 6.0mm<sup>2</sup>**10-660-4-10G10**Pin contact size 4, 10mm<sup>2</sup>**10-660-4-16G10**Pin contact size 4, 16mm<sup>2</sup>**10-660-4-16G62**Pin contact size 4, 16mm<sup>2</sup>**10-660-4-6G10**Pin contact size 4, 6.0mm<sup>2</sup>**Filler plugs:****10-101033-131**

Filler plug, size 12

**10-101033-4**

Filler plug, size 4

#### Protection cap:

**PR32-AA**

Metallic protection cap for bayonet receptacles (GB,GR & GS)

**PR32-D**

Plastic protection cap to bayonet receptacles (GB, GR &GS)

---

#### Accessory:

**10-40450-32**

Sealing gasket for receptacle, front panel mount

**10-40450-32S**

Sealing gasket for receptacle, front panel mount, conductive

**10-40451-32**

Sealing gasket for receptacle, rear panel mount

**10-40451-32S**

Sealing gasket for receptacle, rear panel mount, conductive