



Plug with bayonet coupling nut

Series GS

Item number: GS60-22-22SN-EAA

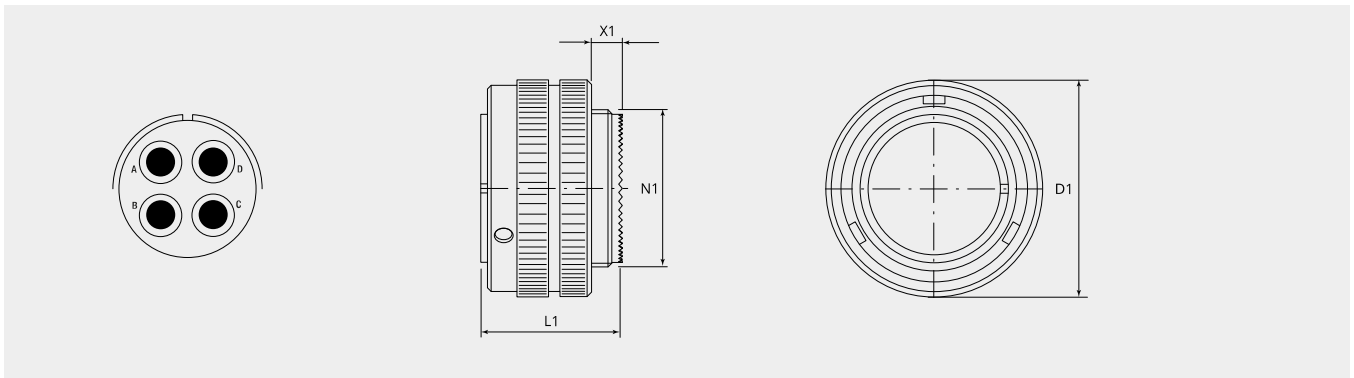
Packing unit: 1

Mechanical properties

Size:	22
Contact type:	Socket
Coding options:	3
Number of contacts, size 8H:	4
Shell material:	Aluminum alloy
Surface treatment:	Zinc
Type of surface:	passivated
Thickness of surface treatment:	12-15 μ
Surface colour:	black
Corrosion resistance (h):	200
Operation temperature:	-55°C - +90°C
Temperature shock:	-55°C - +125°C
Conductivity (M Ω):	\leq 0.5
Coupling-torque to lock (Nm):	max. 6.0
Coupling-torque to open (Nm):	min. 1.5

Thermal properties

Material contact insert:	Ethylene acrylate GXF
Operating temperature:	-55°C - +150°C
Fire protection class DIN EN 45545-2:	R23/HL3



Dimensional drawing

D1 (Ø):	44.0
L1 (mm):	36.0
N1:	1 1/4"-18 UNEF 2A
X1 (mm):	9.0

Electrical properties

Operating voltage DC (V):	700
Operating voltage AC (V):	500
Test voltage AC (V):	2000
Insulation resistance (Ω m):	≥ 5000
Insulation creepage distance (mm):	≥ 3.2
Voltage class:	MIL-DTL-5015

Electrical properties contacts

Size 8H - nominal current (A):	56
Size 8H - maximal current (A):	90
Size 8H - test current (A):	72

Please contact your Gimota partner for other shell materials, surface coatings or contact insert materials.

Voltage classes tested acc. MIL-DTL-5015

Power transmission verification acc. VG95234 / 2 test 5.10.1 and VG95210 / 37

Corrosion resistance tested acc. MIL 1344A Test 101.1

Temperature shock tested acc. MIL 202F, 107G Method

Electrical conductivity acc. MIL 1344A, Test 3007

Complementary products:

Counterpart:

**GS11-22-22PN-EAA**

Cable receptacle

**GS321-22-22PN-EAA**

Receptacle with flange

**GS72-22-22PN-EAA**

Jam nut receptacle

Backshell:

**BEN22-AA**

90° elbow backshell

**BEN22-M4B-AA**

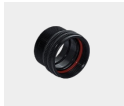
90° elbow backshell with internal metric thread

**BSH22-AA**

Backshell with groove for heatshrinkable shapes

**BSL22-AA**

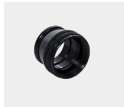
Backshell straight, long

**BSN22-AA**

Backshell straight, standard

**BSN22-M5B-AA**

Backshell straight with internal metric thread

**BST22-AA**

Termination back shell typ R for grommet

**ET-22-06-AA**

EMI adapter with cone ring, for heatshrinkable shape

Contacts:**10-40796-18AG**Socket contact size 8H, 1.5mm²**10-40796-22AG**Socket contact size 8H, 2.5mm²**10-40796-38AG**Socket contact size 8H, 6.0mm²**10-40796-50AG**Socket contact size 8H, 10mm²**Filler plugs:****10-101033-141**

Filler plug, size 8H

Protection cap:**PP22-AA**

Metallic protection cap to bayonet plug (GB, GR & GS)

**PP22-D**

Plastic protection cap to bayonet plugs (GB, GR & GS)