



Plug with bayonet coupling nut

Series GS

Item number: GS60-32-5SN-EAA

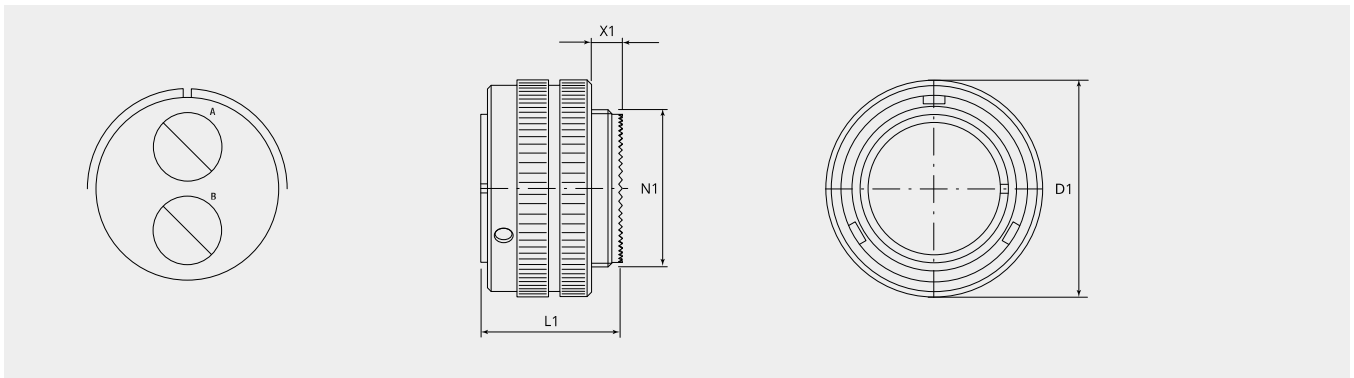
Packing unit: 1

Mechanical properties

Size:	32
Contact type:	Socket
Coding options:	4
Number of contacts, size 0:	2
Shell material:	Aluminum alloy
Surface treatment:	Zinc
Type of surface:	passivated
Thickness of surface treatment:	12-15 μ
Surface colour:	black
Corrosion resistance (h):	200
Operation temperature:	-55°C - +90°C
Temperature shock:	-55°C - +125°C
Conductivity (M Ω):	\leq 0.5
Coupling-torque to lock (Nm):	max. 8.0
Coupling-torque to open (Nm):	min. 3.6

Thermal properties

Material contact insert:	Ethylene acrylate GXF
Operating temperature:	-55°C - +150°C
Fire protection class DIN EN 45545-2:	R23/HL3



Dimensional drawing

D1 (Ø):	60.0
L1 (mm):	38.0
N1:	1 7/8"-16 UN 2A
X1 (mm):	10.5

Electrical properties

Operating voltage DC (V):	1250
Operating voltage AC (V):	900
Test voltage AC (V):	2800
Insulation resistance (Ω m):	≥ 5000
Insulation creepage distance (mm):	≥ 4.8
Voltage class:	MIL-DTL-5015

Electrical properties contacts

Size 0 - nominal current (A):	150
Size 0 - maximal current (A):	245
Size 0 - test current (A):	200
Size 0* - nominal current (A):	240
Size 0* - maximal current (A):	200
Size 0* - test current (A):	245

Please contact your Gimota partner for other shell materials, surface coatings or contact insert materials.

Voltage classes tested acc. MIL-DTL-5015

Power transmission verification acc. VG95234 / 2 test 5.10.1 and VG95210 / 37

Corrosion resistance tested acc. MIL 1344A Test 101.1

Temperature shock tested acc. MIL 202F, 107G Method

Electrical conductivity acc. MIL 1344A, Test 3007

Complementary products:

Counterpart:

**GS11-32-5PN-EAA**

Cable receptacle

**GS321-32-5PN-EAA**

Receptacle with flange

**GS72-32-5PN-EAA**

Jam nut receptacle

Backshell:

**BEN32-AA**

90° elbow backshell

**BEN32-M6B-AA**

90° elbow backshell with internal metric thread

**BSE32-36-AA**

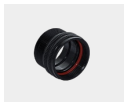
Enlarger back shell

**BSH32-AA**

Backshell with groove for heatshrinkable shapes

**BSL32-AA**

Backshell straight, long

**BSN32-AA**

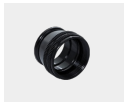
Backshell straight, standard

**BSN32-M6B-AA**

Backshell straight with internal metric thread

**BSR32-18-AA**

Reducer backshell

**BST32-AA**

Termination back shell typ R for grommet

**ET-32-10-AA**

EMI adapter with cone ring, for heatshrinkable shape

Cable termination:



10-350349K-323
Synthetic cable clamp

Contacts:



10-903-0-162G62
Socket contact size 0, 16mm²



10-903-0-252G76
Socket contact size 0, 25mm²



10-903-0-352G89
Socket contact size 0, 35mm²



10-903-0-502G10
Socket contact size 0, 50mm²



10-905-0-162G62
Socket contact size 0*, 16mm²



10-905-0-252G76
Socket contact size 0*, 25mm²



10-905-0-352G89
Socket contact size 0*, 35mm²



10-905-0-502G10
Socket contact size 0*, 50mm²

Filler plugs:



10-101033-0
Filler plug, size 0

Protection cap:



PP32-AA
Metallic protection cap to bayonet plug (GB, GR & GS)



PP32-D
Plastic protection cap to bayonet plugs (GB, GR & GS)