



# Plug with bayonet coupling nut

## Series GS

Item number: GS60-32-A9SN-EAA

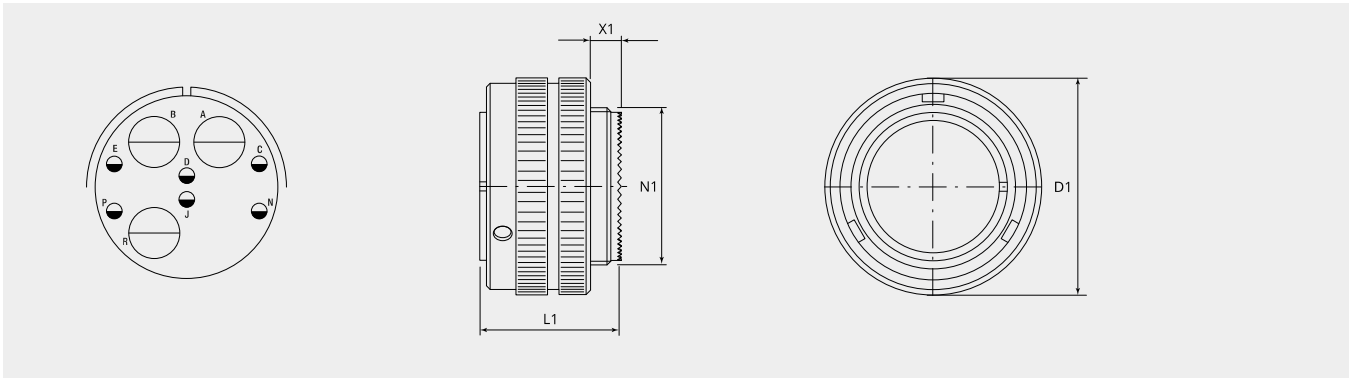
Packing unit: 1

### Mechanical properties

Size:	32
Contact type:	Socket
Coding options:	4
Number of contacts, size 16:	6
Number of contacts, size 4:	3
Shell material:	Aluminum alloy
Surface treatment:	Zinc
Type of surface:	passivated
Thickness of surface treatment:	12-15 $\mu$
Surface colour:	black
Corrosion resistance (h):	200
Operation temperature:	-55°C - +90°C
Temperature shock:	-55°C - +125°C
Conductivity (M $\Omega$ ):	$\leq$ 0.5
Coupling-torque to lock (Nm):	max. 8.0
Coupling-torque to open (Nm):	min. 3.6

### Thermal properties

Material contact insert:	Ethylene acrylate GXF
Operating temperature:	-55°C - +150°C
Fire protection class DIN EN 45545-2:	R23/HL3



## Dimensional drawing

<b>D1 (Ø):</b>	60.0
<b>L1 (mm):</b>	38.0
<b>N1:</b>	1 7/8"-16 UN 2A
<b>X1 (mm):</b>	10.5

## Electrical properties

<b>Operating voltage DC (V):</b>	700
<b>Operating voltage AC (V):</b>	500
<b>Test voltage AC (V):</b>	2000
<b>Insulation resistance (Ω m):</b>	≥ 5000
<b>Insulation creepage distance (mm):</b>	≥ 3.2
<b>Voltage class:</b>	MIL-DTL-5015

## Electrical properties contacts

<b>Size 4 - nominal current (A):</b>	80
<b>Size 4 - maximal current (A):</b>	135
<b>Size 4 - test current (A):</b>	110
<b>Size 16 - nominal current [continuous] (A):</b>	13
<b>Size 16 - maximal current [short-term] (A):</b>	22
<b>Size 16 - test current (A):</b>	20

**Please contact your Gimota partner for other shell materials, surface coatings or contact insert materials.**

Voltage classes tested acc. MIL-DTL-5015

Power transmission verification acc. VG95234 / 2 test 5.10.1 and VG95210 / 37

Corrosion resistance tested acc. MIL 1344A Test 101.1

Temperature shock tested acc. MIL 202F, 107G Method

Electrical conductivity acc. MIL 1344A, Test 3007

## Complementary products:

### Counterpart:

**GS11-32-A9PN-EAA**

Cable receptacle

**GS321-32-A9PN-EAA**

Receptacle with flange

**GS72-32-A9PN-EAA**

Jam nut receptacle

### Backshell:

**BEN32-AA**

90° elbow backshell

**BEN32-M6B-AA**

90° elbow backshell with internal metric thread

**BSE32-36-AA**

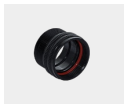
Enlarger back shell

**BSH32-AA**

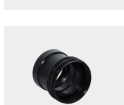
Backshell with groove for heatshrinkable shapes

**BSL32-AA**

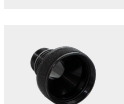
Backshell straight, long

**BSN32-AA**

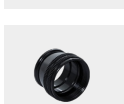
Backshell straight, standard

**BSN32-M6B-AA**

Backshell straight with internal metric thread

**BSR32-18-AA**

Reducer backshell

**BST32-AA**

Termination back shell typ R for grommet

**ET-32-10-AA**

EMI adapter with cone ring, for heatshrinkable shape

#### Cable termination:



**10-350349K-323**

Synthetic cable clamp

---

#### Filler plugs:



**10-101033-121**

Filler plug, size 16/16S



**10-101033-4**

Filler plug, size 4

---

#### Protection cap:



**PP32-AA**

Metallic protection cap to bayonet plug (GB, GR & GS)



**PP32-D**

Plastic protection cap to bayonet plugs (GB, GR & GS)