



Plug with bayonet coupling nut

Series GS

Item number: GS60-40-A62PN-EAA

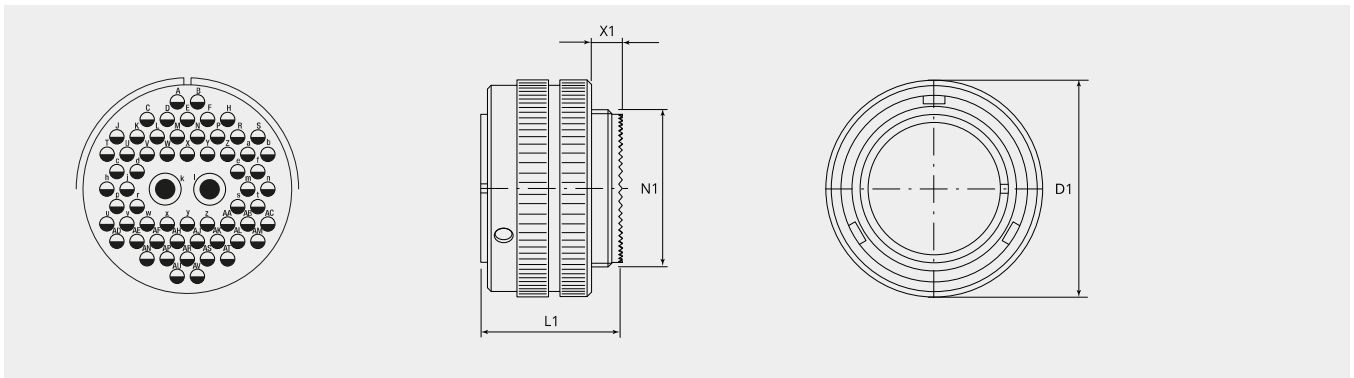
Packing unit: 1

Mechanical properties

Size:	40
Contact type:	Pin
Coding options:	4
Number of contacts, size 16:	60
Number of contacts, size 8H:	2
Shell material:	Aluminum alloy
Surface treatment:	Zinc
Type of surface:	passivated
Thickness of surface treatment:	12-15 μ
Surface colour:	black
Corrosion resistance (h):	200
Operation temperature:	-55°C - +90°C
Temperature shock:	-55°C - +125°C
Conductivity (M Ω):	\leq 0.5
Coupling-torque to lock (Nm):	max. 10.0
Coupling-torque to open (Nm):	min. 5.9

Thermal properties

Material contact insert:	Ethylene acrylate GXF
Operating temperature:	-55°C - +150°C
Fire protection class DIN EN 45545-2:	R23/HL3



Dimensional drawing

D1 (Ø):	73.0
L1 (mm):	38.5
N1:	2 5/16"-16 UN 2A
X1 (mm):	11.3

Electrical properties

Operating voltage DC (V):	700
Operating voltage AC (V):	500
Test voltage AC (V):	2000
Insulation resistance (Ω m):	≥ 5000
Insulation creepage distance (mm):	≥ 3.2
Voltage class:	MIL-DTL-5015

Electrical properties contacts

Size 8H - nominal current (A):	56
Size 8H - maximal current (A):	90
Size 8H - test current (A):	72
Size 16 - nominal current [continuous] (A):	13
Size 16 - maximal current [short-term] (A):	22
Size 16 - test current (A):	20

Please contact your Gimota partner for other shell materials, surface coatings or contact insert materials.

Voltage classes tested acc. MIL-DTL-5015

Power transmission verification acc. VG95234 / 2 test 5.10.1 and VG95210 / 37

Corrosion resistance tested acc. MIL 1344A Test 101.1

Temperature shock tested acc. MIL 202F, 107G Method

Electrical conductivity acc. MIL 1344A, Test 3007

Complementary products:

Counterpart:

**GS11-40-A62SN-EAA**

Cable receptacle

**GS321-40-A62SN-EAA**

Receptacle with flange

**GS72-40-A62SN-EAA**

Jam nut receptacle

Backshell:

**BEN40-AA**

90° elbow backshell

**BEN40-M7B-AA**

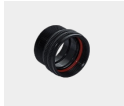
90° elbow backshell with internal metric thread

**BSH40-AA**

Backshell with groove for heatshrinkable shapes

**BSL40-AA**

Backshell straight, long

**BSN40-AA**

Backshell straight, standard

**BSN40-M7B-AA**

Backshell straight with internal metric thread

**BSR40-32-AA**

Reducer backshell

**BSR40-36-AA**

Reducer backshell

**BST40-AA**

Termination back shell typ R for grommet

**ET-40-14-AA**

EMI adapter with cone ring, for heatshrinkable shape

Cable termination:



10-350349K-403

Synthetic cable clamp



10-350349K-4040

Synthetic cable clamp

Contacts:



10-40557-05AU

Pin contact size 16, 0.25 -0.5mm²



10-40557-075AU

Pin contact size 16, 0.75mm²



10-40557-20-1AU

Pin contact size 16, 1.5mm²



10-40557AU

Pin contact size 16, 1.0mm²



10-40794-18AG

Pin contact size 8H, 1.5mm²



10-40794-22AG

Pin contact size 8H, 2.5mm²



10-40794-38AG

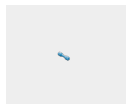
Pin contact size 8H, 6mm²



10-40794-50AG

Pin contact size 8H, 10mm²

Filler plugs:



10-101033-121

Filler plug, size 16/16S



10-101033-141

Filler plug, size 8H

Protection cap:



PP40-AA

Metallic protection cap to bayonet plug GB



PP40-D

Plastic protection cap to bayonet plugs (GB, GR & GS)