



Plug with bayonet coupling nut, for EMI applications

Series GS

Item number: GS601-24-07SN-EAA

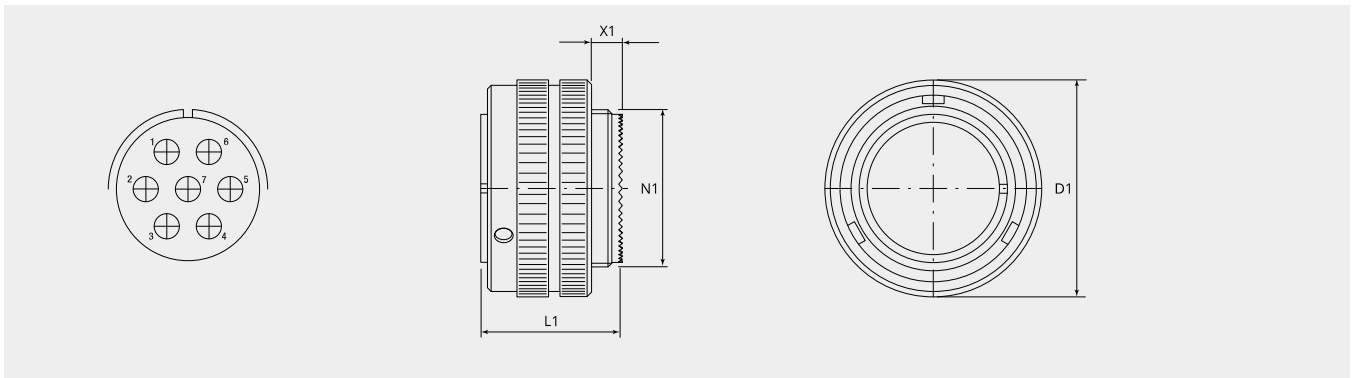
Packing unit: 1

Mechanical properties

Size:	24
Contact type:	Socket
Coding options:	2
Number of contacts, size 12:	7
Shell material:	Aluminum alloy
Surface treatment:	Zinc
Type of surface:	passivated
Thickness of surface treatment:	12-15 μ
Surface colour:	black
Corrosion resistance (h):	200
Operation temperature:	-55°C - +90°C
Temperature shock:	-55°C - +125°C
Conductivity (M Ω):	\leq 0.5
EMI:	Yes
Coupling-torque to lock (Nm):	max. 6.5
Coupling-torque to open (Nm):	min. 2.0

Thermal properties

Material contact insert:	Ethylene acrylate GXF
Operating temperature:	-55°C - +150°C
Fire protection class DIN EN 45545-2:	R23/HL3



Dimensional drawing

D1 (Ø):	48.0
L1 (mm):	36.0
N1:	1 3/8-18 UNEF 2A
X1 (mm):	9.0

Electrical properties

Operating voltage AC (V):	130/250*
Voltage class:	SEV-EN60998-1
Contact numbers:	All
Operating voltage DC (V):	1250
Operating voltage AC (V):	900
Test voltage AC (V):	2800
Insulation resistance (Ω m):	≥ 5000
Insulation creepage distance (mm):	≥ 4.8
Voltage class:	MIL-DTL-5015

Electrical properties contacts

Size 12 - nominal current (A):	23
Size 12 - maximal current (A):	41
Size 12 - test current (A):	35

Please contact your Gimota partner for other shell materials, surface coatings or contact insert materials.

Voltage classes tested acc. MIL-DTL-5015

Power transmission verification acc. VG95234 / 2 test 5.10.1 and VG95210 / 37

Corrosion resistance tested acc. MIL 1344A Test 101.1

Temperature shock tested acc. MIL 202F, 107G Method

Electrical conductivity acc. MIL 1344A, Test 3007

Complementary products:

Counterpart:

**GS11-24-07PN-EAA**

Cable receptacle

**GS321-24-07PN-EAA**

Receptacle with flange

**GS72-24-07PN-EAA**

Jam nut receptacle

Backshell:

**BEN24-AA**

90° elbow backshell

**BEN24-M5B-AA**

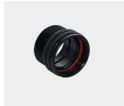
90° elbow backshell with internal metric thread

**BSH24-AA**

Backshell with groove for heatshrinkable shapes

**BSL24-AA**

Backshell straight, long

**BSN24-AA**

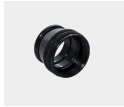
Backshell straight, standard

**BSN24-M5B-AA**

Backshell straight with internal metric thread

**BSR24-18-AA**

Reducer backshell

**BST24-AA**

Termination back shell typ R for grommet

**ET-24-07-AA**

EMI adapter with cone ring, for heatshrinkable shape

Cable termination:



10-350349K-2432

Synthetic cable clamp

Contacts:



10-40560-11AU

Socket contact size 12, 0.5mm²



10-40560-15AU

Socket contact size 12, 0.75 - 1.0mm²



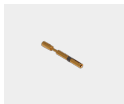
10-40560-18AU

Socket contact size 12, 1.5mm²



10-40560-22AU

Socket contact size 12, 2.5mm²



10-40560-30AU

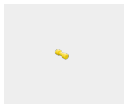
Socket contact size 12, 4.0mm²



10-40560-38AU

Socket contact size 12, 6.0mm²

Filler plugs:



10-101033-131

Filler plug, size 12

Protection cap:



PP24-AA

Metallic protection cap to bayonet plug (GB, GR & GS)



PP24-D

Plastic protection cap to bayonet plugs (GB, GR & GS)