



Plug with bayonet coupling nut, for EMI applications

Series GS

Item number: GS601-24-A25PN-EAA

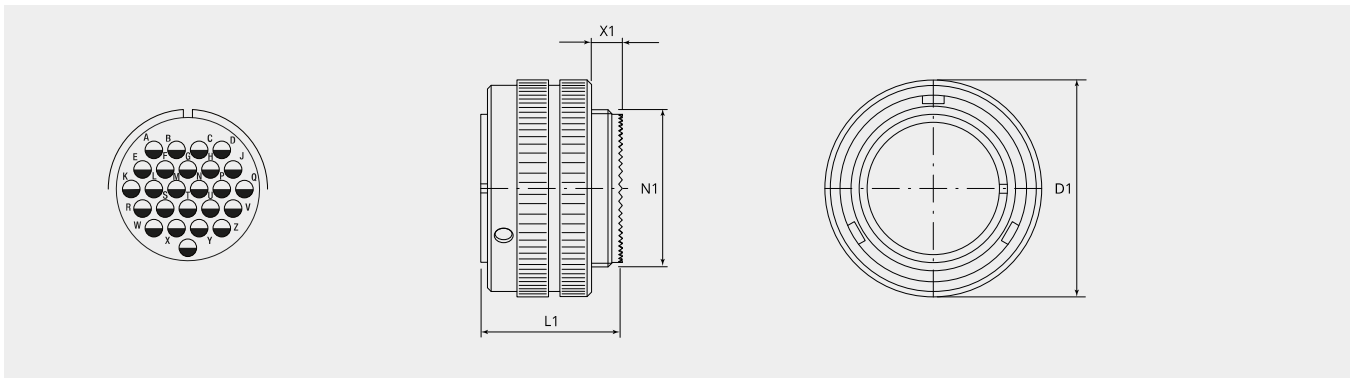
Packing unit: 1

Mechanical properties

Size:	24
Contact type:	Pin
Coding options:	4
Number of contacts, size 16:	25
Shell material:	Aluminum alloy
Surface treatment:	Zinc
Type of surface:	passivated
Thickness of surface treatment:	12-15 μ
Surface colour:	black
Corrosion resistance (h):	200
Operation temperature:	-55°C - +90°C
Temperature shock:	-55°C - +125°C
Conductivity (M Ω):	≤ 0.5
EMI:	Yes
Coupling-torque to lock (Nm):	max. 6.5
Coupling-torque to open (Nm):	min. 2.0

Thermal properties

Material contact insert:	Ethylene acrylate GXF
Operating temperature:	-55°C - +150°C
Fire protection class DIN EN 45545-2:	R23/HL3



Dimensional drawing

D1 (Ø):	48.0
L1 (mm):	36.0
N1:	1 3/8"-18 UNEF 2A
X1 (mm):	9.0

Electrical properties

Operating voltage DC (V):	250
Operating voltage AC (V):	200
Test voltage AC (V):	1000
Insulation resistance (Ω m):	≥ 5000
Insulation creepage distance (mm):	≥ 1.6
Voltage class:	MIL-DTL-5015

Electrical properties contacts

Size 16 - nominal current [continuous] (A):	13
Size 16 - maximal current [short-term] (A):	22
Size 16 - test current (A):	20

Please contact your Gimota partner for other shell materials, surface coatings or contact insert materials.

Voltage classes tested acc. MIL-DTL-5015

Power transmission verification acc. VG95234 / 2 test 5.10.1 and VG95210 / 37

Corrosion resistance tested acc. MIL 1344A Test 101.1

Temperature shock tested acc. MIL 202F, 107G Method

Electrical conductivity acc. MIL 1344A, Test 3007

Complementary products:

Counterpart:



GS11-24-A25SN-EAA
Cable receptacle



GS321-24-A25SN-EAA
Receptacle with flange



GS72-24-A25SN-EAA
Jam nut receptacle

Backshell:



BEN24-AA
90° elbow backshell



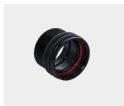
BEN24-M5B-AA
90° elbow backshell with internal metric thread



BSH24-AA
Backshell with groove for heatshrinkable shapes



BSL24-AA
Backshell straight, long



BSN24-AA
Backshell straight, standard



BSN24-M5B-AA
Backshell straight with internal metric thread



BSR24-18-AA
Reducer backshell



BST24-AA
Termination back shell typ R for grommet



ET-24-07-AA
EMI adapter with cone ring, for heatshrinkable shape

Cable termination:



10-350349K-2432
Synthetic cable clamp

Contacts:



10-40557-05AU
Pin contact size 16, 0.25 -0.5mm²



10-40557-075AU
Pin contact size 16, 0.75mm²

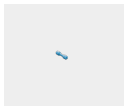


10-40557-20-1AU
Pin contact size 16, 1.5mm²



10-40557AU
Pin contact size 16, 1.0mm²

Filler plugs:



10-101033-121
Filler plug, size 16/16S

Protection cap:



PP24-AA
Metallic protection cap to bayonet plug (GB, GR & GS)



PP24-D
Plastic protection cap to bayonet plugs (GB, GR & GS)