



Plug with rubber coated coupling nut

Series GS

Item number: GS602-24-07SN-EAA

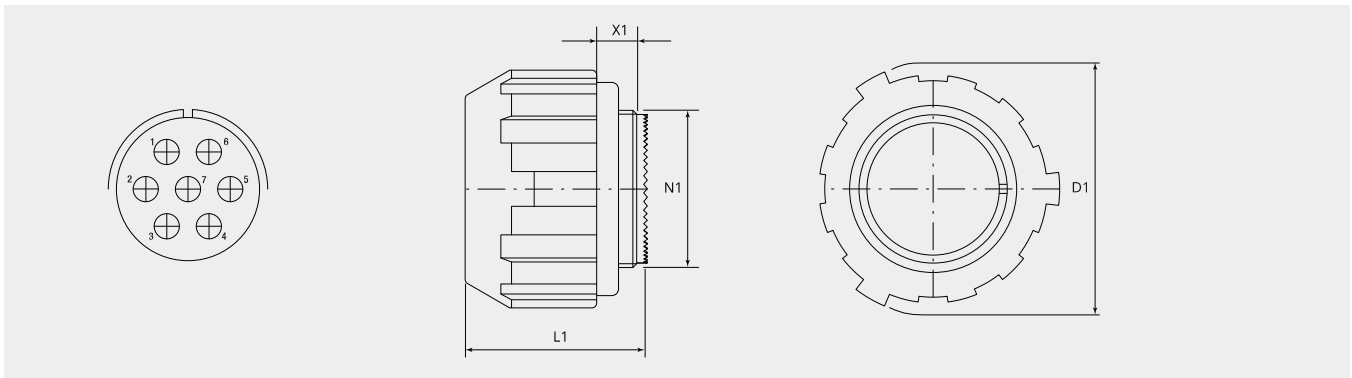
Packing unit: 1

Mechanical properties

Size:	24
Contact type:	Socket
Coding options:	2
Number of contacts, size 12:	7
Shell material:	Aluminum alloy
Surface treatment:	Zinc
Type of surface:	passivated
Thickness of surface treatment:	12-15 μ
Surface colour:	black
Corrosion resistance (h):	200
Operation temperature:	-55°C - +90°C
Temperature shock:	-55°C - +125°C
Conductivity (M Ω):	\leq 0.5
Coupling-torque to lock (Nm):	max. 6.5
Coupling-torque to open (Nm):	min. 2.0

Thermal properties

Material contact insert:	Ethylene acrylate GXF
Operating temperature:	-55°C - +150°C
Fire protection class DIN EN 45545-2:	R23/HL3



Dimensional drawing

D1 (Ø):	60.0
L1 (mm):	39.0
N1:	1 3/8-18 UNEF 2A
X1 (mm):	9.0

Electrical properties

Operating voltage AC (V):	130/250*
Voltage class:	SEV-EN60998-1
Contact numbers:	All
Operating voltage DC (V):	1250
Operating voltage AC (V):	900
Test voltage AC (V):	2800
Insulation resistance (Ω m):	≥ 5000
Insulation creepage distance (mm):	≥ 4.8
Voltage class:	MIL-DTL-5015

Electrical properties contacts

Size 12 - nominal current (A):	23
Size 12 - maximal current (A):	41
Size 12 - test current (A):	35

Please contact your Gimota partner for other shell materials, surface coatings or contact insert materials.

Voltage classes tested acc. MIL-DTL-5015
 Power transmission verification acc. VG95234 / 2 test 5.10.1 and VG95210 / 37
 Corrosion resistance tested acc. MIL 1344A Test 101.1
 Temperature shock tested acc. MIL 202F, 107G Method
 Electrical conductivity acc. MIL 1344A, Test 3007