



# Plug with rubber coated coupling nut

## Series GS

Item number: GS602-24-A25PN-EAA

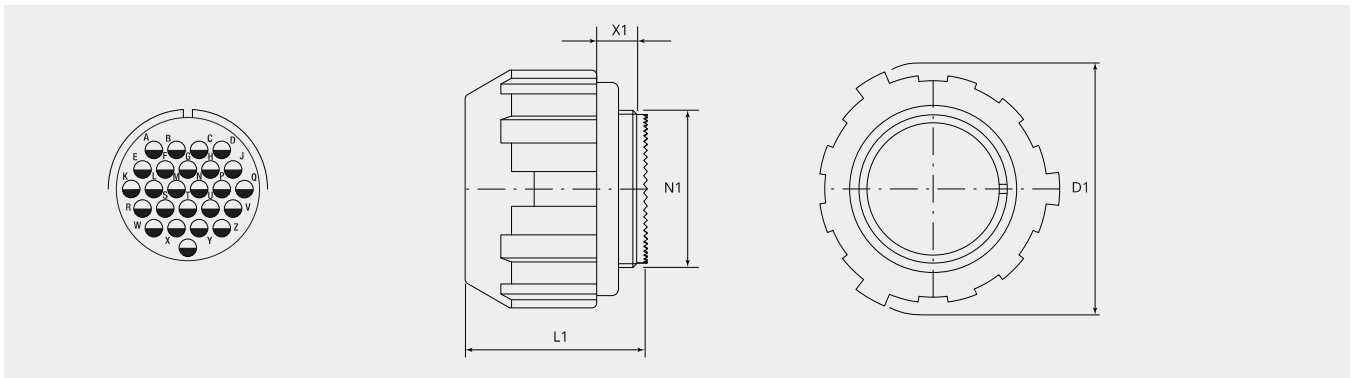
Packing unit: 1

### Mechanical properties

Size:	24
Contact type:	Pin
Coding options:	4
Number of contacts, size 16:	25
Shell material:	Aluminum alloy
Surface treatment:	Zinc
Type of surface:	passivated
Thickness of surface treatment:	12-15 $\mu$
Surface colour:	black
Corrosion resistance (h):	200
Operation temperature:	-55°C - +90°C
Temperature shock:	-55°C - +125°C
Conductivity (M $\Omega$ ):	$\leq$ 0.5
Coupling-torque to lock (Nm):	max. 6.5
Coupling-torque to open (Nm):	min. 2.0

### Thermal properties

Material contact insert:	Ethylene acrylate GXF
Operating temperature:	-55°C - +150°C
Fire protection class DIN EN 45545-2:	R23/HL3



## Dimensional drawing

<b>D1 (Ø):</b>	60.0
<b>L1 (mm):</b>	39.0
<b>N1:</b>	1 3/8"-18 UNEF 2A
<b>X1 (mm):</b>	9.0

## Electrical properties

<b>Operating voltage DC (V):</b>	250
<b>Operating voltage AC (V):</b>	200
<b>Test voltage AC (V):</b>	1000
<b>Insulation resistance (Ω m):</b>	≥ 5000
<b>Insulation creepage distance (mm):</b>	≥ 1.6
<b>Voltage class:</b>	MIL-DTL-5015

## Electrical properties contacts

<b>Size 16 - nominal current [continuous] (A):</b>	13
<b>Size 16 - maximal current [short-term] (A):</b>	22
<b>Size 16 - test current (A):</b>	20

**Please contact your Gimota partner for other shell materials, surface coatings or contact insert materials.**

Voltage classes tested acc. MIL-DTL-5015

Power transmission verification acc. VG95234 / 2 test 5.10.1 and VG95210 / 37

Corrosion resistance tested acc. MIL 1344A Test 101.1

Temperature shock tested acc. MIL 202F, 107G Method

Electrical conductivity acc. MIL 1344A, Test 3007

## Complementary products:

### Counterpart:



**GS11-24-A25SN-EAA**  
Cable receptacle



**GS321-24-A25SN-EAA**  
Receptacle with flange



**GS72-24-A25SN-EAA**  
Jam nut receptacle

### Backshell:



**BEN24-AA**  
90° elbow backshell



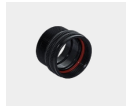
**BEN24-M5B-AA**  
90° elbow backshell with internal metric thread



**BSH24-AA**  
Backshell with groove for heatshrinkable shapes



**BSL24-AA**  
Backshell straight, long



**BSN24-AA**  
Backshell straight, standard



**BSN24-M5B-AA**  
Backshell straight with internal metric thread



**BSR24-18-AA**  
Reducer backshell



**BST24-AA**  
Termination back shell typ R for grommet



**ET-24-07-AA**  
EMI adapter with cone ring, for heatshrinkable shape

#### Cable termination:



**10-350349K-2432**

Synthetic cable clamp

#### Contacts:



**10-40557-05AU**

Pin contact size 16, 0.25 -0.5mm<sup>2</sup>



**10-40557-075AU**

Pin contact size 16, 0.75mm<sup>2</sup>



**10-40557-20-1AU**

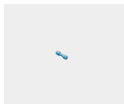
Pin contact size 16, 1.5mm<sup>2</sup>



**10-40557AU**

Pin contact size 16, 1.0mm<sup>2</sup>

#### Filler plugs:



**10-101033-121**

Filler plug, size 16/16S

#### Protection cap:



**PP24-AA**

Metallic protection cap to bayonet plug (GB, GR & GS)



**PP24-D**

Plastic protection cap to bayonet plugs (GB, GR & GS)