



Plug with rubber coated coupling nut

Series GS

Item number: GS602-40-A62PN-EAA

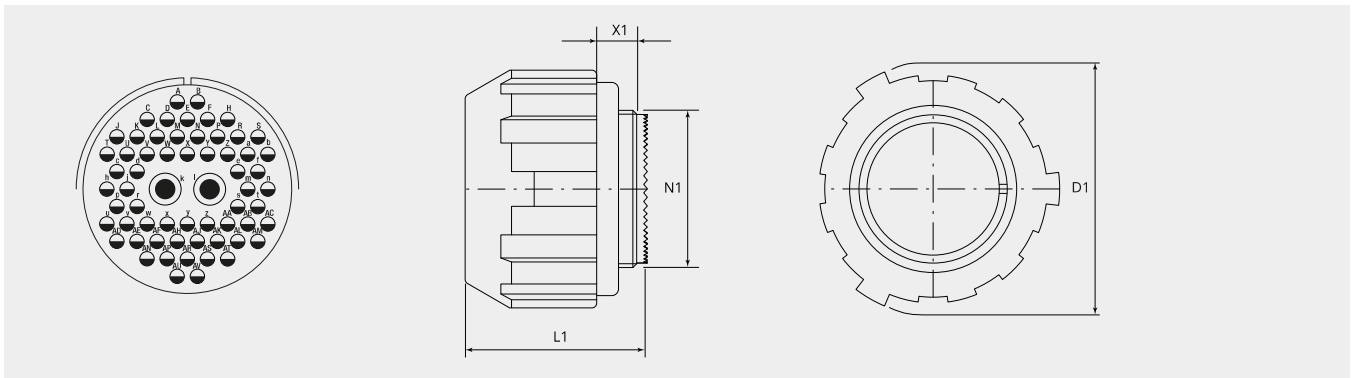
Packing unit: 1

Mechanical properties

| | |
|---------------------------------|----------------|
| Size: | 40 |
| Contact type: | Pin |
| Coding options: | 4 |
| Number of contacts, size 16: | 60 |
| Number of contacts, size 8H: | 2 |
| Shell material: | Aluminum alloy |
| Surface treatment: | Zinc |
| Type of surface: | passivated |
| Thickness of surface treatment: | 12-15 μ |
| Surface colour: | black |
| Corrosion resistance (h): | 200 |
| Operation temperature: | -55°C - +90°C |
| Temperature shock: | -55°C - +125°C |
| Conductivity (M Ω): | \leq 0.5 |
| Coupling-torque to lock (Nm): | max. 10.0 |
| Coupling-torque to open (Nm): | min. 5.9 |

Thermal properties

| | |
|---------------------------------------|-----------------------|
| Material contact insert: | Ethylene acrylate GXF |
| Operating temperature: | -55°C - +150°C |
| Fire protection class DIN EN 45545-2: | R23/HL3 |



Dimensional drawing

| | |
|-----------------|------------------|
| D1 (Ø): | 88.0 |
| L1 (mm): | 41.0 |
| N1: | 2 5/16"-16 UN 2A |
| X1 (mm): | 11.3 |

Electrical properties

| | |
|---|--------------|
| Operating voltage DC (V): | 700 |
| Operating voltage AC (V): | 500 |
| Test voltage AC (V): | 2000 |
| Insulation resistance (Ω m): | ≥ 5000 |
| Insulation creepage distance (mm): | ≥ 3.2 |
| Voltage class: | MIL-DTL-5015 |

Electrical properties contacts

| | |
|--|----|
| Size 8H - nominal current (A): | 56 |
| Size 8H - maximal current (A): | 90 |
| Size 8H - test current (A): | 72 |
| Size 16 - nominal current [continuous] (A): | 13 |
| Size 16 - maximal current [short-term] (A): | 22 |
| Size 16 - test current (A): | 20 |

Please contact your Gimota partner for other shell materials, surface coatings or contact insert materials.

Voltage classes tested acc. MIL-DTL-5015
 Power transmission verification acc. VG95234 / 2 test 5.10.1 and VG95210 / 37
 Corrosion resistance tested acc. MIL 1344A Test 101.1
 Temperature shock tested acc. MIL 202F, 107G Method
 Electrical conductivity acc. MIL 1344A, Test 3007

Complementary products:

Counterpart:

**GS11-40-A62SN-EAA**

Cable receptacle

**GS321-40-A62SN-EAA**

Receptacle with flange

**GS72-40-A62SN-EAA**

Jam nut receptacle

Backshell:

**BEN40-AA**

90° elbow backshell

**BEN40-M7B-AA**

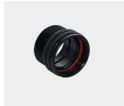
90° elbow backshell with internal metric thread

**BSH40-AA**

Backshell with groove for heatshrinkable shapes

**BSL40-AA**

Backshell straight, long

**BSN40-AA**

Backshell straight, standard

**BSN40-M7B-AA**

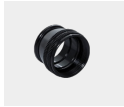
Backshell straight with internal metric thread

**BSR40-32-AA**

Reducer backshell

**BSR40-36-AA**

Reducer backshell

**BST40-AA**

Termination back shell typ R for grommet

**ET-40-14-AA**

EMI adapter with cone ring, for heatshrinkable shape

Cable termination:



10-350349K-403

Synthetic cable clamp



10-350349K-4040

Synthetic cable clamp

Contacts:



10-40557-05AU

Pin contact size 16, 0.25 -0.5mm²



10-40557-075AU

Pin contact size 16, 0.75mm²



10-40557-20-1AU

Pin contact size 16, 1.5mm²



10-40557AU

Pin contact size 16, 1.0mm²



10-40794-18AG

Pin contact size 8H, 1.5mm²



10-40794-22AG

Pin contact size 8H, 2.5mm²



10-40794-38AG

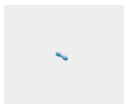
Pin contact size 8H, 6mm²



10-40794-50AG

Pin contact size 8H, 10mm²

Filler plugs:



10-101033-121

Filler plug, size 16/16S



10-101033-141

Filler plug, size 8H

Protection cap:



PP40-AA

Metallic protection cap to bayonet plug GB



PP40-D

Plastic protection cap to bayonet plugs (GB, GR & GS)