



# Plug with rubber coated coupling nut, for EMI applications

Series GS

Item number: GS604-24-07SN-EAA

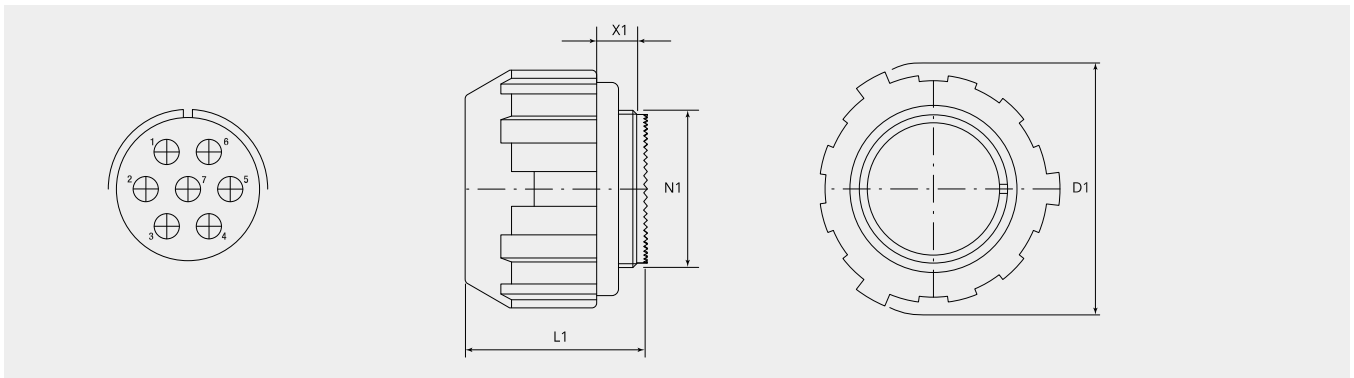
Packing unit: 1

## Mechanical properties

Size:	24
Contact type:	Socket
Coding options:	2
Number of contacts, size 12:	7
Shell material:	Aluminum alloy
Surface treatment:	Zinc
Type of surface:	passivated
Thickness of surface treatment:	12-15 $\mu$
Surface colour:	black
Corrosion resistance (h):	200
Operation temperature:	-55°C - +90°C
Temperature shock:	-55°C - +125°C
Conductivity (M $\Omega$ ):	$\leq$ 0.5
EMI:	Yes
Coupling-torque to lock (Nm):	max. 6.5
Coupling-torque to open (Nm):	min. 2.0

## Thermal properties

Material contact insert:	Ethylene acrylate GXF
Operating temperature:	-55°C - +150°C
Fire protection class DIN EN 45545-2:	R23/HL3



## Dimensional drawing

<b>D1 (Ø):</b>	60.0
<b>L1 (mm):</b>	39.0
<b>N1:</b>	1 3/8-18 UNEF 2A
<b>X1 (mm):</b>	9.0

## Electrical properties

<b>Operating voltage AC (V):</b>	130/250*
<b>Voltage class:</b>	SEV-EN60998-1
<b>Contact numbers:</b>	All
<b>Operating voltage DC (V):</b>	1250
<b>Operating voltage AC (V):</b>	900
<b>Test voltage AC (V):</b>	2800
<b>Insulation resistance (Ω m):</b>	≥ 5000
<b>Insulation creepage distance (mm):</b>	≥ 4.8
<b>Voltage class:</b>	MIL-DTL-5015

## Electrical properties contacts

<b>Size 12 - nominal current (A):</b>	23
<b>Size 12 - maximal current (A):</b>	41
<b>Size 12 - test current (A):</b>	35

**Please contact your Gimota partner for other shell materials, surface coatings or contact insert materials.**

Voltage classes tested acc. MIL-DTL-5015

Power transmission verification acc. VG95234 / 2 test 5.10.1 and VG95210 / 37

Corrosion resistance tested acc. MIL 1344A Test 101.1

Temperature shock tested acc. MIL 202F, 107G Method

Electrical conductivity acc. MIL 1344A, Test 3007

## Complementary products:

### Counterpart:

**GS11-24-07PN-EAA**

Cable receptacle

**GS321-24-07PN-EAA**

Receptacle with flange

**GS72-24-07PN-EAA**

Jam nut receptacle

### Backshell:

**BEN24-AA**

90° elbow backshell

**BEN24-M5B-AA**

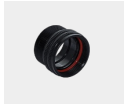
90° elbow backshell with internal metric thread

**BSH24-AA**

Backshell with groove for heatshrinkable shapes

**BSL24-AA**

Backshell straight, long

**BSN24-AA**

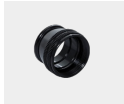
Backshell straight, standard

**BSN24-M5B-AA**

Backshell straight with internal metric thread

**BSR24-18-AA**

Reducer backshell

**BST24-AA**

Termination back shell typ R for grommet

**ET-24-07-AA**

EMI adapter with cone ring, for heatshrinkable shape

#### Cable termination:



**10-350349K-2432**

Synthetic cable clamp

#### Contacts:



**10-40560-11AU**

Socket contact size 12, 0.5mm<sup>2</sup>



**10-40560-15AU**

Socket contact size 12, 0.75 - 1.0mm<sup>2</sup>



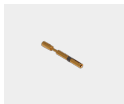
**10-40560-18AU**

Socket contact size 12, 1.5mm<sup>2</sup>



**10-40560-22AU**

Socket contact size 12, 2.5mm<sup>2</sup>



**10-40560-30AU**

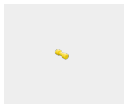
Socket contact size 12, 4.0mm<sup>2</sup>



**10-40560-38AU**

Socket contact size 12, 6.0mm<sup>2</sup>

#### Filler plugs:



**10-101033-131**

Filler plug, size 12

#### Protection cap:



**PP24-AA**

Metallic protection cap to bayonet plug (GB, GR & GS)



**PP24-D**

Plastic protection cap to bayonet plugs (GB, GR & GS)