



# Jam nut receptacle

## Series GS

Item number: GS72-24-A28SN-EAA

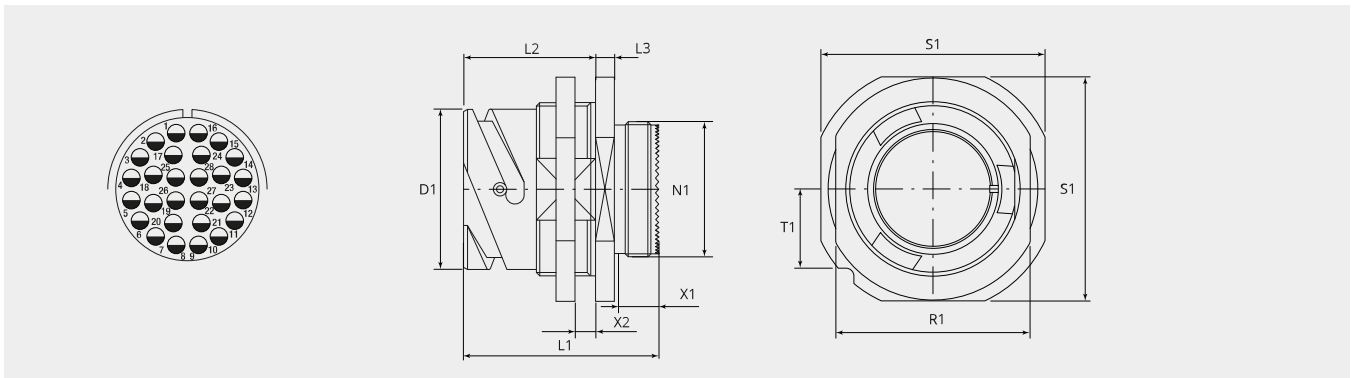
Packing unit: 1

### Mechanical properties

Size:	28
Contact type:	Socket
Coding options:	3
Number of contacts, size 16:	28
Shell material:	Aluminum alloy
Surface treatment:	Zinc
Type of surface:	passivated
Thickness of surface treatment:	12-15 $\mu$
Surface colour:	black
Corrosion resistance (h):	200
Operation temperature:	-55°C - +90°C
Temperature shock:	-55°C - +125°C
Conductivity (M $\Omega$ ):	$\leq$ 0.5
EMI:	Yes
Coupling-torque to lock (Nm):	max. 7.0
Coupling-torque to open (Nm):	min. 2.7

### Thermal properties

Material contact insert:	Ethylene acrylate GXF
Operating temperature:	-55°C - +150°C
Fire protection class DIN EN 45545-2:	R23/HL3



## Dimensional drawing

<b>D1 (Ø):</b>	46.7
<b>L1 (mm):</b>	52.0
<b>L2 (mm):</b>	35.2
<b>L3 (mm):</b>	5.6
<b>N1:</b>	1 5/8"-18 UNEF 2A
<b>T1 (mm):</b>	22.5
<b>X1 (mm):</b>	9.0
<b>X2 (mm):</b>	2.4 - 8.5
<b>S1 (mm):</b>	63.5
<b>R1 (mm):</b>	55.0

## Electrical properties

<b>Operating voltage DC (V):</b>	250
<b>Operating voltage AC (V):</b>	200
<b>Test voltage AC (V):</b>	1000
<b>Insulation resistance (Ω m):</b>	≥ 5000
<b>Insulation creepage distance (mm):</b>	≥ 1.6
<b>Voltage class:</b>	MIL-DTL-5015

## Electrical properties contacts

<b>Size 16 - nominal current [continuous] (A):</b>	13
<b>Size 16 - maximal current [short-term] (A):</b>	22
<b>Size 16 - test current (A):</b>	20

**Please contact your Gimota partner for other shell materials, surface coatings or contact insert materials.**

Voltage classes tested acc. MIL-DTL-5015

Power transmission verification acc. VG95234 / 2 test 5.10.1 and VG95210 / 37

Corrosion resistance tested acc. MIL 1344A Test 101.1

Temperature shock tested acc. MIL 202F, 107G Method

Electrical conductivity acc. MIL 1344A, Test 3007

## Complementary products:

### Counterpart:



**GS60-24-A28PN-EAA**

Plug with bayonet coupling nut



**GS601-24-A28PN-EAA**

Plug with bayonet coupling nut, for EMI applications



**GS602-24-A28PN-EAA**

Plug with rubber coated coupling nut



**GS604-24-A28PN-EAA**

Plug with rubber coated coupling nut, for EMI applications

#### Backshell:



**BEN28-AA**  
90° elbow backshell



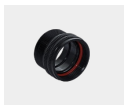
**BEN28-M5B-AA**  
90° elbow backshell with internal metric thread



**BSH28-AA**  
Backshell with groove for heatshrinkable shapes



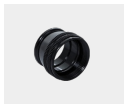
**BSL28-AA**  
Backshell straight, long



**BSN28-AA**  
Backshell straight, standard



**BSN28-M5B-AA**  
Backshell straight with internal metric thread



**BST28-AA**  
Termination back shell typ R for grommet



**ET-28-08-AA**  
EMI adapter with cone ring, for heatshrinkable shape

#### Contacts:



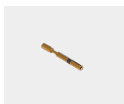
**10-40556-05AU**  
Socket contact size 16, 0.25 - 0.5mm<sup>2</sup>



**10-40556-075AU**  
Socket contact size 16, 0.75mm<sup>2</sup>

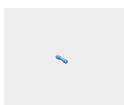


**10-40556-20-1AU**  
Socket contact size 16, 1.5mm<sup>2</sup>



**10-40556AU**  
Socket contact size 16, 1.0mm<sup>2</sup>

#### Filler plugs:



**10-101033-121**  
Filler plug, size 16/16S

**Protection cap:**



**PR28-AA**

Metallic protection cap for bayonet receptacles (GB,GR & GS)



**PR28-D**

Plastic protection cap to bayonet receptacles (GB, GR &GS)