



Jam nut receptacle

Series GS

Item number: GS72-32-1PN-EAA

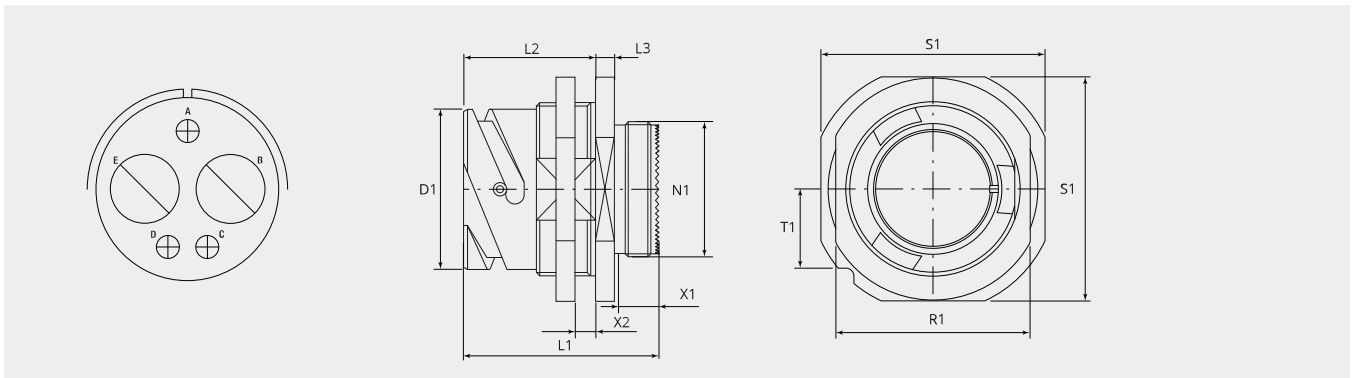
Packing unit: 1

Mechanical properties

Size:	32
Contact type:	Pin
Coding options:	4
Number of contacts, size 0:	2
Number of contacts, size 12:	3
Shell material:	Aluminum alloy
Surface treatment:	Zinc
Type of surface:	passivated
Thickness of surface treatment:	12-15 μ
Surface colour:	black
Corrosion resistance (h):	200
Operation temperature:	-55°C - +90°C
Temperature shock:	-55°C - +125°C
Conductivity (M Ω):	\leq 0.5
EMI:	Yes
Coupling-torque to lock (Nm):	max. 8.0
Coupling-torque to open (Nm):	min. 3.6

Thermal properties

Material contact insert:	Ethylene acrylate GXF
Operating temperature:	-55°C - +150°C
Fire protection class DIN EN 45545-2:	R23/HL3



Dimensional drawing

D1 (Ø):	53.5
L1 (mm):	52.0
L2 (mm):	35.2
L3 (mm):	5.6
N1:	1 7/8"-16 UN 2A
T1 (mm):	24.7
X1 (mm):	10.5
X2 (mm):	2.4 - 6.5
S1 (mm):	69.8
R1 (mm):	62.0

Electrical properties

Contact numbers:	A
Operating voltage DC (V):	1750
Operating voltage AC (V):	1250
Test voltage AC (V):	3500
Insulation resistance (Ω m):	≥ 5000
Insulation creepage distance (mm):	≥ 6.3
Voltage class:	MIL-DTL-5015
Contact numbers:	Rest
Operating voltage DC (V):	1250
Operating voltage AC (V):	900
Test voltage AC (V):	2800
Insulation resistance (Ω m):	≥ 5000
Insulation creepage distance (mm):	≥ 4.8
Voltage class:	MIL-DTL-5015

Electrical properties contacts

Size 0 - nominal current (A):	200
Size 0 - maximal current (A):	300
Size 0 - test current (A):	240
Size 12 - nominal current (A):	23
Size 12 - maximal current (A):	41
Size 12 - test current (A):	35

Please contact your Gimota partner for other shell materials, surface coatings or contact insert materials.

Voltage classes tested acc. MIL-DTL-5015

Power transmission verification acc. VG95234 / 2 test 5.10.1 and VG95210 / 37

Corrosion resistance tested acc. MIL 1344A Test 101.1

Temperature shock tested acc. MIL 202F, 107G Method

Electrical conductivity acc. MIL 1344A, Test 3007

Complementary products:

Counterpart:



GS60-32-1SN-EAA

Plug with bayonet coupling nut



GS601-32-1SN-EAA

Plug with bayonet coupling nut, for EMI applications



GS602-32-1SN-EAA

Plug with rubber coated coupling nut



GS604-32-1SN-EAA

Plug with rubber coated coupling nut, for EMI applications

Backshell:



BEN32-AA
90° elbow backshell



BEN32-M6B-AA
90° elbow backshell with internal metric thread



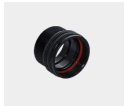
BSE32-36-AA
Enlarger back shell



BSH32-AA
Backshell with groove for heatshrinkable shapes



BSL32-AA
Backshell straight, long



BSN32-AA
Backshell straight, standard



BSN32-M6B-AA
Backshell straight with internal metric thread



BSR32-18-AA
Reducer backshell



BST32-AA
Termination back shell typ R for grommet



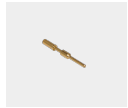
ET-32-10-AA
EMI adapter with cone ring, for heatshrinkable shape

Cable termination:



10-350349K-323
Synthetic cable clamp

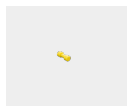
Contacts:

**10-40561-11AU**Pin contact size 12, 0.5mm²**10-40561-15AU**Pin contact size 12, 0.75 - 1.0mm²**10-40561-18AU**Pin contact size 12, 1.5mm²**10-40561-22AU**Pin contact size 12, 2.5mm²**10-40561-30AU**Pin contact size 12, 4.0mm²**10-40561-38AU**Pin contact size 12, 6.0mm²**10-660-0-162G62**Pin contact size 0, 16mm²**10-660-0-252G76**Pin contact size 0, 25mm²**10-660-0-352G89**Pin contact size 0, 35mm²**10-660-0-502G10**Pin contact size 0, 50mm²

Filler plugs:

**10-101033-0**

Filler plug, size 0

**10-101033-131**

Filler plug, size 12

Protection cap:



PR32-AA

Metallic protection cap for bayonet receptacles (GB,GR & GS)



PR32-D

Plastic protection cap to bayonet receptacles (GB, GR &GS)